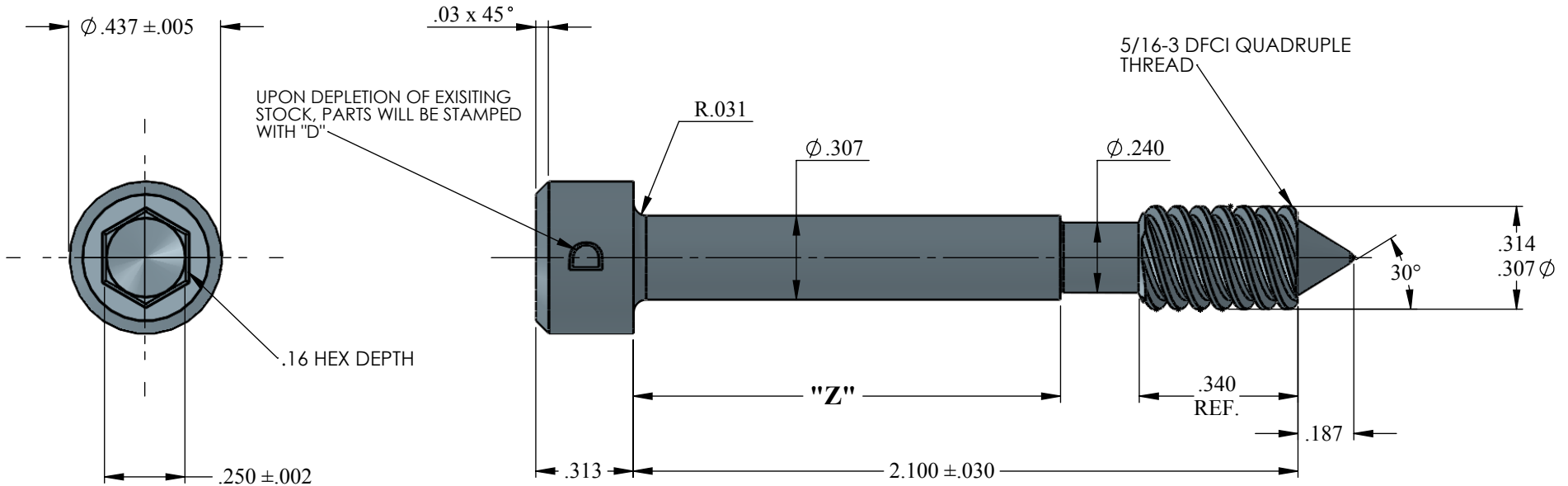
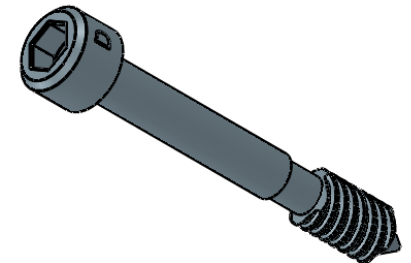



UNCONTROLLED

REVISIONS			
SYS	DESCRIPTION	DATE	APPROV
A	PER ECN 1168 & 845	10-12-11	



PART NUMBER	"Z"
5725-S20-150-25220-SS-PAS	1.400
5725-S20-150-25220A-SS-PAS	1.730



MATERIAL: TYPE 303 STAINLESS STEEL	TOLERANCES ON DIMENSIONS UNLESS OTHERWISE SPECIFIED		 DFCI SOLUTIONS INC. 425 UNION BOULEVARD. WEST ISLIP, NEW YORK 11795
HEAT TREAT: N/A	X* = ±2° X/X = ±1/32 .XX = ±.015 .XXX = ±.010 MACHINE FINISH = 125 \sqrt	PART NO. DRN <i>Frank Basile</i> 10-12-11 CHK. <i>Frank Basile</i> 10-12-11 ENG. <i>Robert Altkorn</i> 10-12-11 MFG. <i>Charles J. Paniel</i> 10-12-11 G.C. <i>Robert Altkorn</i> 10-12-11 SALES.	
FINISH: PASSIVATED	NEXT ASSY USED ON APPLICATION BLOCK	DATE DATE DATE DATE DATE	TITLE UN-5700 SIZE 5 HEX RECESS STUD 5725-S20-150-25220-SS-PAS
THE FASTENER PARTS SHOWN IN THIS PRINT ARE PROPRIETARY ARTICLES TO WHICH DFCI SOLUTIONS INC., RETAINS THE EXCLUSIVE RIGHTS OF MANUFACTURE, USE AND SALE. THE PRINT OR DRAWING IS SUBMITTED IN CONFIDENCE AND DOES NOT CONVEY A LICENSE OR PERMISSION TO MANUFACTURE THE FASTENER OR FASTENER PARTS. (C) COPYRIGHT 2009, DFCI SOLUTIONS INC. ALL RIGHTS RESERVED.	SIZE A FSCM NO. 72794 DWG. NO. C5725-25220 SCALE: NTS WEIGHT:	REV. A SHEET 1 OF 1	