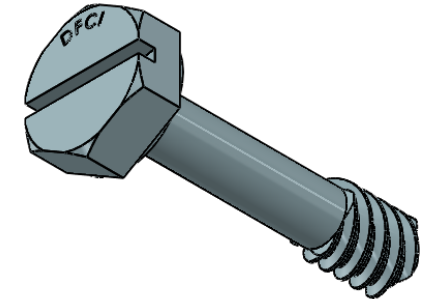
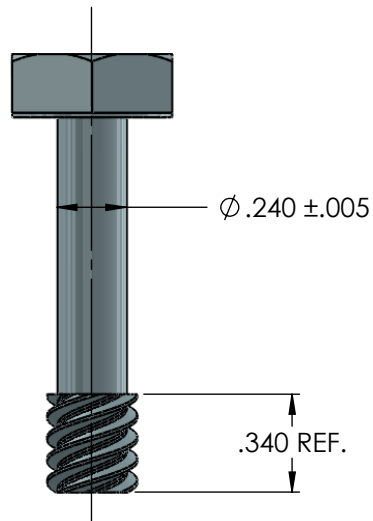
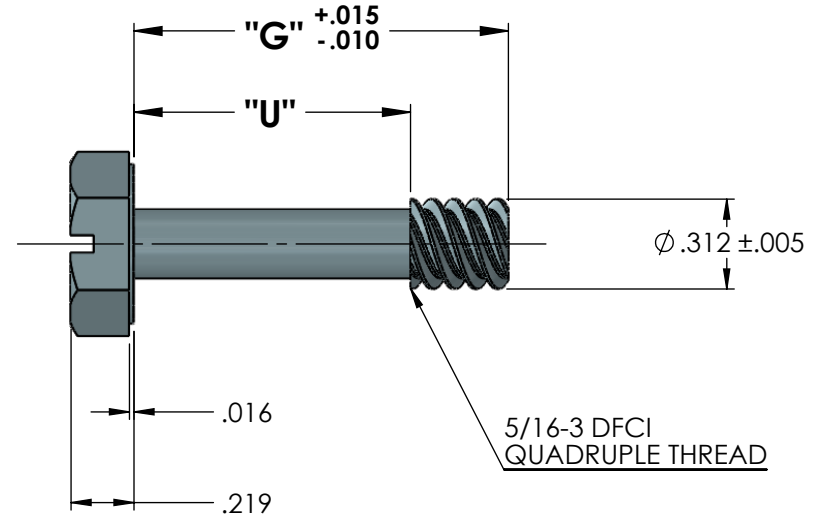
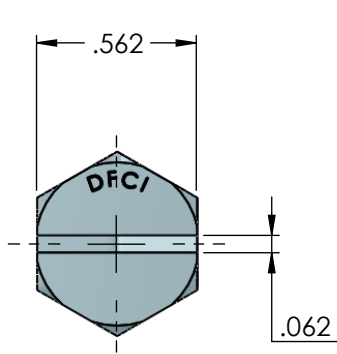


# UNCONTROLLED

REVISIONS			
SYS	DESCRIPTION	DATE	APPROV
A	PER ECN 845 & 1168	07/24/13	



MATERIAL:	NOTED
HEAT TREAT:	NOTED
FINISH:	NOTED
<small>THE FASTENER PARTS SHOWN IN THIS PRINT ARE PROPRIETARY ARTICLES TO WHICH DFCI SOLUTIONS INC., RETAINS THE EXCLUSIVE RIGHTS OF MANUFACTURE, USE AND SALE. THE PRINT OR DRAWING IS SUBMITTED IN CONFIDENCE AND DOES NOT CONVEY A LICENSE OR PERMISSION TO MANUFACTURE THE FASTENER OR FASTENER PARTS.</small>	
<small>(C) COPYRIGHT 2009, DFCI SOLUTIONS INC. ALL RIGHTS RESERVED.</small>	

TOLERANCES ON DIMENSIONS UNLESS OTHERWISE SPECIFIED			
<small>X* = ±2°</small>		<small>.XX = ±.015</small>	
<small>X/X = ±1/32</small>		<small>.XXX = ±.010</small>	
<small>MACHINE FINISH = .125</small>			
PART NO.	SEE TABLE	DRN	DATE
		Frank Basile	07-24-13
		CHK. Frank Basile	DATE 07-24-13
		ENG. [Signature]	DATE 07-24-13
		MFG. [Signature]	DATE 07-24-13
		Q.C. [Signature]	DATE 07-24-13
NEXT ASSY	USED ON	SALES.	DATE

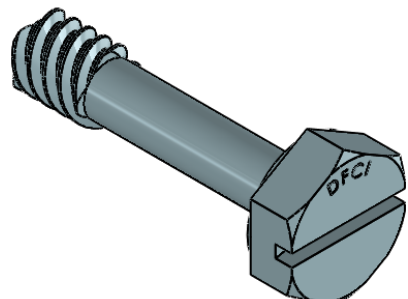
**DFCI SOLUTIONS INC.**  
 425 UNION BOULEVARD.  
 WEST ISLIP, NEW YORK 11795

**TITLE** UN-5700 HEX HEAD STUD  
5785-20-\*\*-Z2CT

SIZE	FSCM NO.	DWG. NO.	REV.
A	72794	C5785	A

SCALE: NTS
WEIGHT:
SHEET 1 OF 2

# UNCONTROLLED




REVISIONS			
SYS	DESCRIPTION	DATE	APPROV
A	PER ECN 845 & 1168	07/24/13	

**NOTES:**

- MATERIAL:** STEEL A.I.S.I. 1018, 1117, 8620, STAINLESS STEEL TYPE 303
- FOR A STUD MADE FROM TYPE 303 STAINLESS STEEL, REMOVE SUFFIX -Z2CT FROM PART NUMBER AND ADD -SS  
EXAMPLE: 5785-20-50-SS
- HEAT TREAT:** STEEL STUD- ROCKWELL C27 - 33  
STAINLESS STEEL STUD- NONE
- FINISH:** ZINC PLATE PER ASTM-B-633, TYPE III, SC1 CLEAR TRIVALENT CHROMATE WITH SEALER.
- FOR THE APPLICATION OF ALTERNATIVE FINISHES, REMOVE THE SUFFIX -Z2CT FROM THE PART NUMBER AND ADD THE REQUIRED FINISH TO THE PART NUMBER SUFFIX.  
EXAMPLE: FOR YELLOW ZINC TRIVALENT CHROMATE THE PART NUMBER WOULD BE- 5785-20-50-Z2YT
- PLEASE VISIT [www.dfci.com/c5785](http://www.dfci.com/c5785) FOR A LIST OF AVAILABLE FINISHES.

PART NUMBER	"U" DIM.	"G" DIM.
5785-20-10-Z2CT	.360	.700
5785-20-20-Z2CT	.460	.800
5785-20-30-Z2CT	.560	.900
5785-20-40-Z2CT	.660	1.000
5785-20-50-Z2CT	.760	1.100
5785-20-60-Z2CT	.860	1.200
5785-20-70-Z2CT	.960	1.300
5785-20-80-Z2CT	1.060	1.400
5785-20-90-Z2CT	1.160	1.500
5785-20-100-Z2CT	1.260	1.600

MATERIAL: NOTED	TOLERANCES ON DIMENSIONS UNLESS OTHERWISE SPECIFIED X" = ±2" .XX = ±.015 X/X = ±1/32 .XXX = ±.010 MACHINE FINISH = .125			 <b>DFCI SOLUTIONS INC.</b> 425 UNION BOULEVARD. WEST ISLIP, NEW YORK 11795
HEAT TREAT: NOTED	PART NO. SEE TABLE	DRN <i>Frank Basile</i> DATE 07/24/13	CHK. <i>Frank Basile</i> DATE 07/24/13	
FINISH: NOTED		ENG. <i>Robert Alldred</i> DATE 07/24/13	MFG. <i>Rashad Lubman</i> DATE 07/24/13	
THE FASTENER PARTS SHOWN IN THIS PRINT ARE PROPRIETARY ARTICLES TO WHICH DFCI SOLUTIONS INC., RETAINS THE EXCLUSIVE RIGHTS OF MANUFACTURE, USE AND SALE. THE PRINT OR DRAWING IS SUBMITTED IN CONFIDENCE AND DOES NOT CONVEY A LICENSE OR PERMISSION TO MANUFACTURE THE FASTENER OR FASTENER PARTS. (C) COPYRIGHT 2009, DFCI SOLUTIONS INC. ALL RIGHTS RESERVED.	NEXT ASSY	USED ON	Q.C. <i>Robert Alldred</i> DATE 07/24/13	TITLE UN-5700 HEX HEAD STUD 5785-20-**-Z2CT
	APPLICATION BLOCK		SALES.	DATE