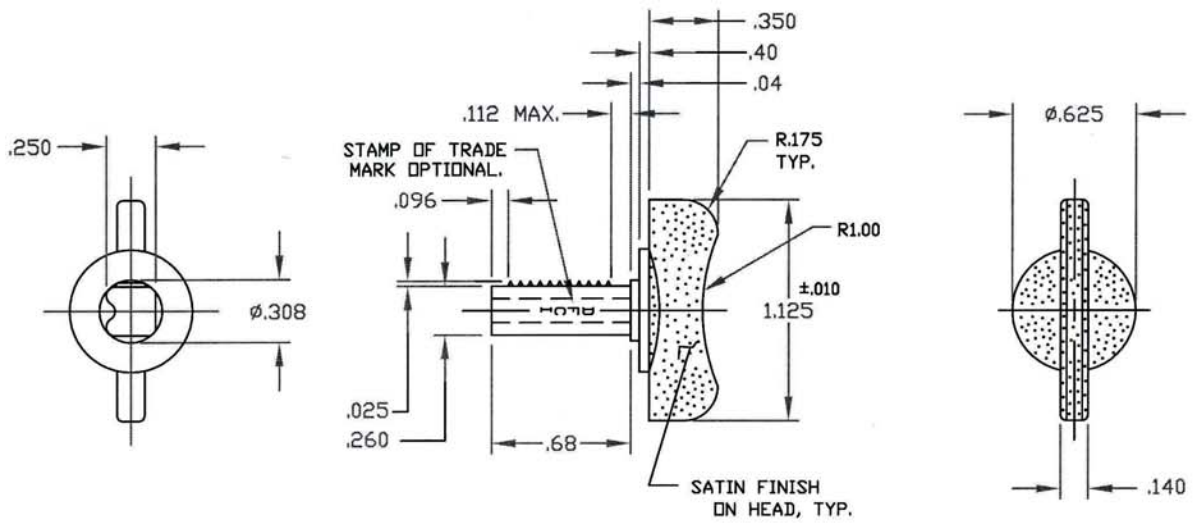


UNCONTROLLED

C6137-1W REV. A

| REVISIONS | | | |
|-----------|------------------------------|---------|-----------|
| SYM | DESCRIPTION | DATE | APPROV |
| A | INITIAL RELEASE PER ECN 845. | 10-8-08 | <i>FB</i> |



| | |
|----------|------------------|
| PART NO. | COLOR |
| 6137-1W | BLACK (STANDARD) |

- NOTES:
1. MATERIAL: ACETAL COPOLYMER RESIN, GRADE M90.
 2. CUSTOM COLORS ARE DONE ON SPECIAL ORDERS.

| | | | | | | | |
|--|--|---|--|-------------------------------|--|---|--|
| MAT'L PER NOTE 1. | | TOLERANCES ON DIMENSIONS UNLESS OTHERWISE SPECIFIED X° = ±2° .XX = ± .015 X/X = ±1/32 .XXX = ± .010 | | MACHINE FINISH 125T | | DFCI SOLUTIONS INC. 425 UNION BOULEVARD WEST ISLIP, NEW YORK 11795 | |
| HEAT TREAT NONE. | | PART NO. | | DRN S. FRANCIS DATE 10-8-08 | | TITLE DP-6100 WING HD. STUD, 6137-1W. | |
| FINISH CLEAN & FREE OF BURRS. | | CHK F. Basil DATE 10-17-08 | | ENG Bob Widdell DATE 10-17-08 | | SIZE A FSCM NO 72794 DWG. NO. C6137-1W REV. A | |
| <small>THE FASTENER PARTS SHOWN IN THIS PRINT ARE PROPRIETARY ARTICLES TO WHICH DFCI SOLUTIONS INC. RETAINS THE EXCLUSIVE RIGHTS OF MANUFACTURE, USE AND SALE. THE PRINT OR DRAWING IS SUBMITTED IN CONFIDENCE AND DOES NOT CONVEY A LICENSE OR PERMISSION TO MANUFACTURE THE FASTENER OR FASTENER PARTS.</small> <small>© COPYRIGHT 2003, DFCI SOLUTIONS INC. ALL RIGHTS RESERVED.</small> | | NEXT ASSY USED ON | | MFR Bob Widdell DATE 10-17-08 | | SCALE NTS WT. SHEET 1 OF 1 | |
| DATE: 07/01/06 FORM: DRAWING | | APPLICATION BLOCK SALES | | DATE 10/17/08 | | | |