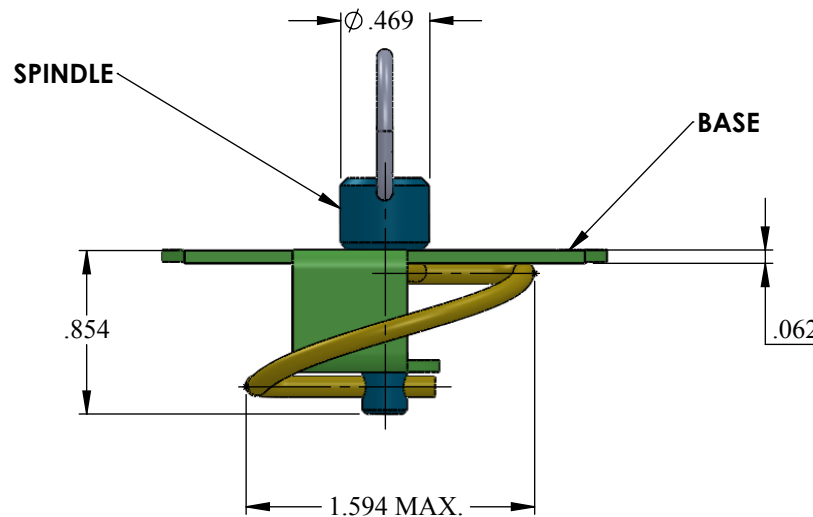
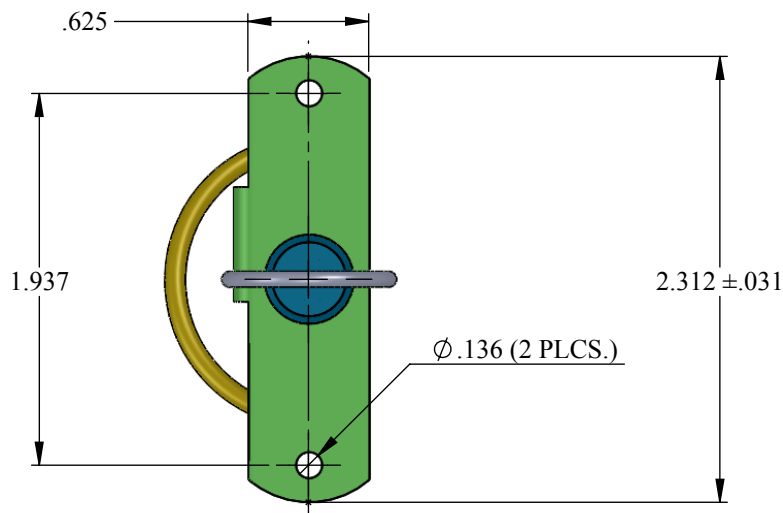
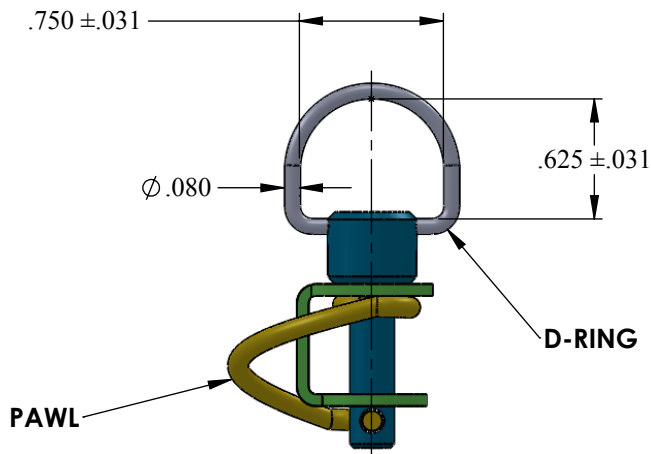


FINISH:
SPINDLE: ZINC PLATE WITH BLACK CHROMATE PER ASTM-B-633, TYPE II SC2
PAWL AND BASE: ZINC PLATE WITH YELLOW CHROMATE PER ASTM-B-633, TYPE II SC2
D-RING: ZINC PLATE WITH CLEAR TRIVALENT CHROMATE WITH SEALER PER ASTM-B-633, TYPE III, SC2

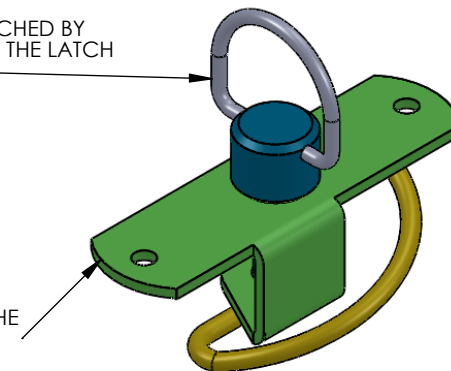
REVISIONS			
SYS	DESCRIPTION	DATE	APPROV
A	INITIAL RELEASE	07-14-11	

UNCONTROLLED



D-RING IS TO BE ATTACHED BY THE CUSTOMER AFTER THE LATCH IS INSTALLED.

UPON DEPLETION OF EXISTING STOCK, THE DFCI LOGO STAMP WILL BE PRESENT ON THE BOTTOM OF THE BASE.



MATERIAL:	SPINDLE & BASE: LOW CARBON STEEL D-RING & PAWL: HIGH CARBON STEEL
HEAT TREAT:	N/A
FINISH:	NOTED
<small>THE FASTENER PARTS SHOWN IN THIS PRINT ARE PROPRIETARY ARTICLES TO WHICH DFCI SOLUTIONS INC., RETAINS THE EXCLUSIVE RIGHTS OF MANUFACTURE, USE AND SALE. THE PRINT OR DRAWING IS SUBMITTED IN CONFIDENCE AND DOES NOT CONVEY A LICENSE OR PERMISSION TO MANUFACTURE THE FASTENER OR FASTENER PARTS.</small>	
<small>(C) COPYRIGHT 2009, DFCI SOLUTIONS INC. ALL RIGHTS RESERVED.</small>	

TOLERANCES ON DIMENSIONS UNLESS OTHERWISE SPECIFIED			
<small>X* = ±2°</small>		<small>.XX = ±.015</small>	
<small>X/X = ±1/32</small>		<small>.XXX = ±.010</small>	
<small>MACHINE FINISH = 125/7</small>			
PART NO.	6175-241876-Z3B	DRN	Frank Basile
		DATE	07-14-11
		CHK.	Frank Basile
		DATE	07-14-11
		ENG.	Robert Altabrand
		DATE	07-14-11
		MFG.	Charles J. Parnell
		DATE	07-14-11
		G.C.	Robert Altabrand
		DATE	07-14-11
NEXT ASSY	USED ON	SALES.	
APPLICATION BLOCK			



DFCI SOLUTIONS INC.
 425 UNION BOULEVARD.
 WEST ISLIP, NEW YORK 11795

TITLE			
6175-241876-Z3B SELF ADJUSTING PAWL LATCH			
SIZE	FSCM NO.	DWG. NO.	REV.
A	72794	C6175-241876	A
SCALE: NTS		WEIGHT:	SHEET 1 OF 1