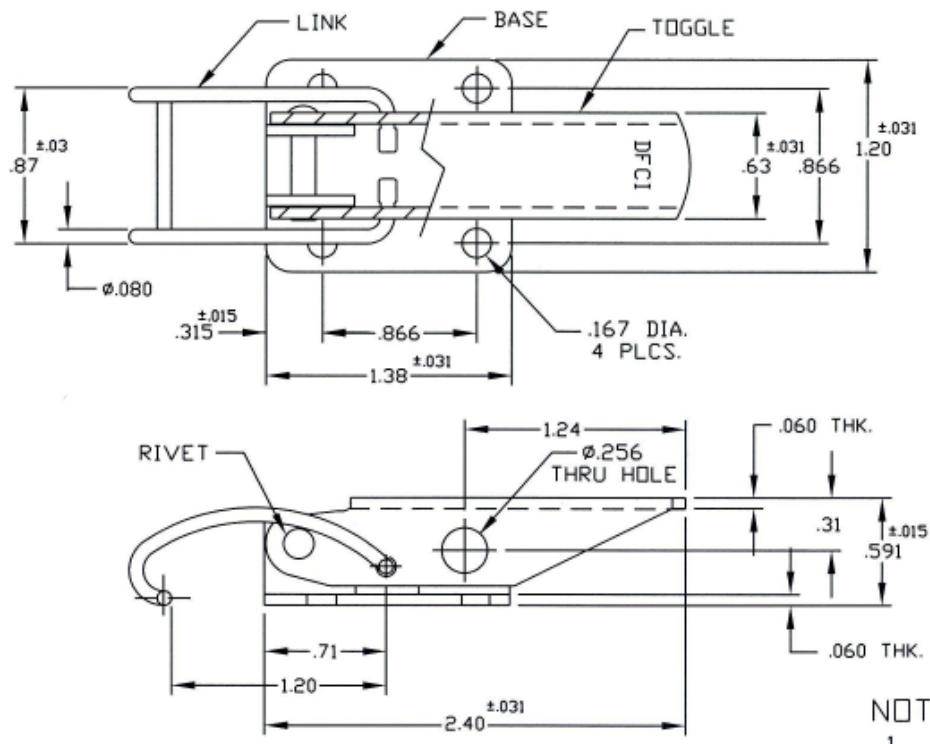


UNCONTROLLED

C7880-41-241852 REV. A

REVISIONS			
SYM	DESCRIPTION	DATE	APPROV
A	INITIAL RELEASE PER ECN 845.	4-30-09	FB



PART NO.
7880-41-241852-SS

- NOTES:
- MATERIAL:  
 BASE: TYPE 302 STAINLESS STEEL.  
 LINK: TYPE 17-7, STAINLESS STEEL.  
 RIVET: OVAL HEAD, STAINLESS STEEL.  
 TOGGLE: TYPE 302 STAINLESS STEEL.

MAT'L PER NOTE 1.	TOLERANCES ON DIMENSIONS UNLESS OTHERWISE SPECIFIED $X = \pm 2^{\circ}$ .XX = $\pm .015$ $X/X = \pm 1/32$ .XXX = $\pm .010$ MACHINE FINISH .125		DFCI SOLUTIONS INC. 425 UNION BOULEVARD WEST ISLIP, NEW YORK 11795	
HEAT TREAT NONE.	PART NO.	DRN S. Francis DATE 4-30-09	TITLE 7800 TOGGLE LATCH ASSY. 7880-41-241852-SS.	
FINISH NATURAL.		CHK F. Basile DATE 4-30-09	SIZE A	FSCM NO 72794
<small>THE FASTENER PARTS SHOWN IN THIS PRINT ARE PROPRIETARY ARTICLES TO WHICH DFCI SOLUTIONS INC. RETAINS THE EXCLUSIVE RIGHTS OF MANUFACTURE, USE AND SALE. THE PRINT OR DRAWING IS SUBMITTED IN CONFIDENCE AND DOES NOT CONVEY A LICENSE OR PERMISSION TO MANUFACTURE THE FASTENER OR FASTENER PARTS.</small> <small>© COPYRIGHT 2003, DFCI SOLUTIONS INC. ALL RIGHTS RESERVED.</small>	NEXT ASSY	USED ON	DWG. NO. C7880-41-241852	REV. A
	APPLICATION BLOCK		SALES	DATE

DATE: 07/01/06 FORM: DRAWING