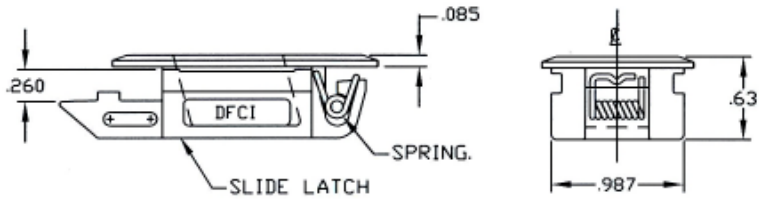
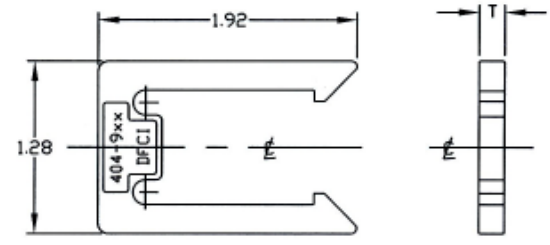
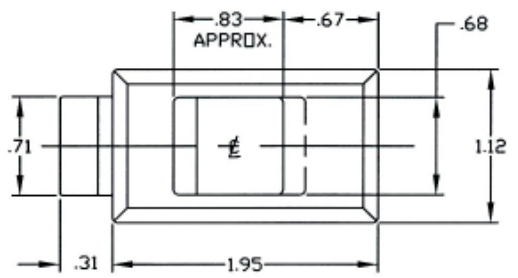


UNCONTROLLED

C8404-600 SHT. 1 of 2 REV. A

REVISIONS			
SYM	DESCRIPTION	DATE	APPROV
A	INITIAL RELEASE PER ECN 845	8-12-09	FB



SLIDE LATCH ASSY.  
(SEE NOTE 3 & 4)

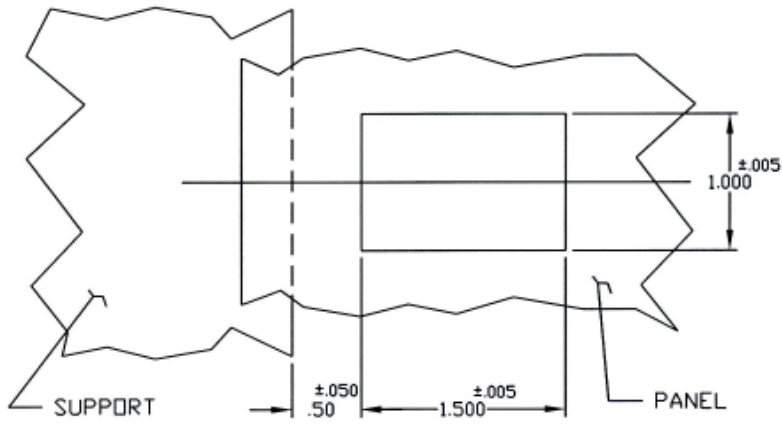
SNAPCLIP  
(SEE NOTE 3 & 4.)

MAT'L PER NOTE 1.	TOLERANCES ON DIMENSIONS UNLESS OTHERWISE SPECIFIED X = ±2" .XX = ±.015 X/X = ±1/32 .XXX = ±.010 MACHINE FINISH .125		DFCI SOLUTIONS INC. 425 UNION BOULEVARD WEST ISLIP, NEW YORK 11795	
HEAT TREAT NONE.	PART NO.	DRN S. F. <i>Ramos</i>	DATE 8-12-09	TITLE SL-8400 SLIDE LATCH ASSY. 8404-600-BK
FINISH CLEAN & FREE OF BURRS.		CHK F. <i>Boady</i>	DATE 8-14-09	
<small>THE FASTENER PARTS SHOWN IN THIS PRINT ARE PROPRIETARY ARTICLES TO WHICH DFCI SOLUTIONS INC. RETAINS THE EXCLUSIVE RIGHTS OF MANUFACTURE, USE AND SALE. THE PRINT OR DRAWING IS SUBMITTED IN CONFIDENCE AND DOES NOT CONVEY A LICENSE OR PERMISSION TO MANUFACTURE THE FASTENER OR FASTENER PARTS.</small> <small>© COPYRIGHT 2003, DFCI SOLUTIONS INC. ALL RIGHTS RESERVED.</small> DATE: 07/01/06 FORM: DRAWING		ENG B. <i>Hildebrand</i>	DATE 8/14/09	SIZE A
		MFG B. <i>Hildebrand</i>	DATE 8/14/09	FSCM NO 72794
	NEXT ASSY	USED ON	QC B. <i>Hildebrand</i>	DATE 8/14/09
APPLICATION BLOCK		SALES	DATE	REV. A
			SCALE NTS	WT.
			SHEET 1 OF 2	

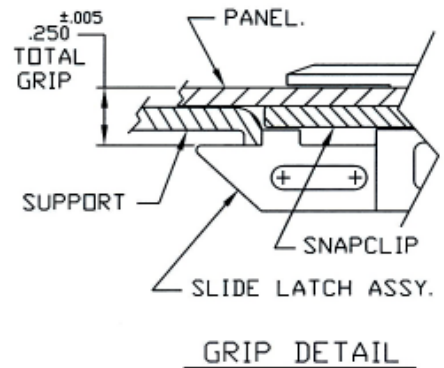
The parts shown in this print are proprietary articles to which DFCI Solutions, Inc. retains the exclusive rights of manufacture, use and sale. The print or drawing is submitted in confidence and does not convey a license or permission to manufacture the parts. Copyright © 2009 by DFCI Solutions, Inc. All rights reserved.

UNCONTROLLED

REVISIONS			
SYM	DESCRIPTION	DATE	APPROV
A	INITIAL RELEASE PER ECN 845	8-12-09	<i>FB</i>



SLIDE LATCH ASSY. MTG. HOLE DETAIL.



GRIP DETAIL

- NOTES:
- MATERIAL:  
 SLIDE LATCH : ABS, FLAME RETARDANT.  
 SNAPCLIP: ABS FLAME RETARDANT.  
 SPRING : 300 SERIES STAINLESS STEEL.
  - FOR OTHER COLORS OF SLIDE LATCH ASSY. IS AVAILABLE ON REQUEST.
  - SLIDE LATCH ASSY. PART NO. 8404-600 DOES NOT INCLUDE THE SNAPCLIPS.
  - TO PURCHASE THE SLIDE LATCH ASSY. INCLUDING THE SNAPCLIP UNDER ONE PART NO. REFER TO DRAWING NO. C8404-6.

SLIDE LATCH ASSY. PART NO.	WEIGHT LBS.	COLOR	SNAPCLIP PART NO. SEE NOTE 3 & 4.	PANEL THICKNESS RANGE	T
8404-600-BK SEE NOTE 2 & 3.	.0248	BLACK STD COLOR	8404-912-BK	.043 - .051	.125
			8404-916-BK	.055 - .067	.110
			8404-920-BK	.071 - .083	.094

MAT'L PER NOTE 1.		TOLERANCES ON DIMENSIONS UNLESS OTHERWISE SPECIFIED X = ±2' .XX = ±.015 X/X = ±1/32 .XXX = ±.010 MACHINE FINISH .125		DFCI SOLUTIONS INC. 425 UNION BOULEVARD WEST ISLIP, NEW YORK 11795	
HEAT TREAT NONE.		PART NO.	DRN S. FRANCIS DATE 8-12-09	TITLE SL-8400 SLIDE LATCH ASSY. 8404-600-BK	
FINISH CLEAN & FREE OF BURRS.		CHK F. Basil DATE 8-19-09	ENG B. Hildebrand DATE 8/14/09	SIZE A	FSCM NO 72794
THE FASTENER PARTS SHOWN IN THIS PRINT ARE PROPRIETARY ARTICLES TO WHICH DFCI SOLUTIONS INC. RETAINS THE EXCLUSIVE RIGHTS OF MANUFACTURE, USE AND SALE. THE PRINT OR DRAWING IS SUBMITTED IN CONFIDENCE AND DOES NOT CONVEY A LICENSE OR PERMISSION TO MANUFACTURE THE FASTENER OR FASTENER PARTS.		MPD B. Hildebrand DATE 8/14/09	OC B. Hildebrand DATE 8/14/09	DWG. NO. C8404-600	REV. A
DATE: 07/01/06 FORM: DRAWING		NEXT ASSY	USED ON SALES	SCALE NTS	WT. SHEET 2 OF 2