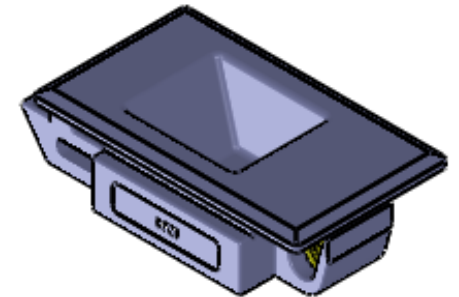
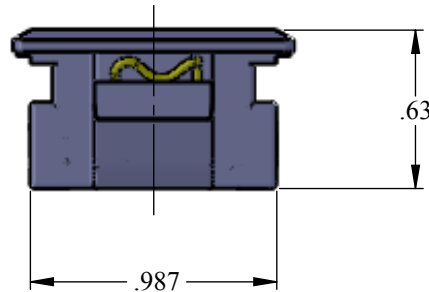
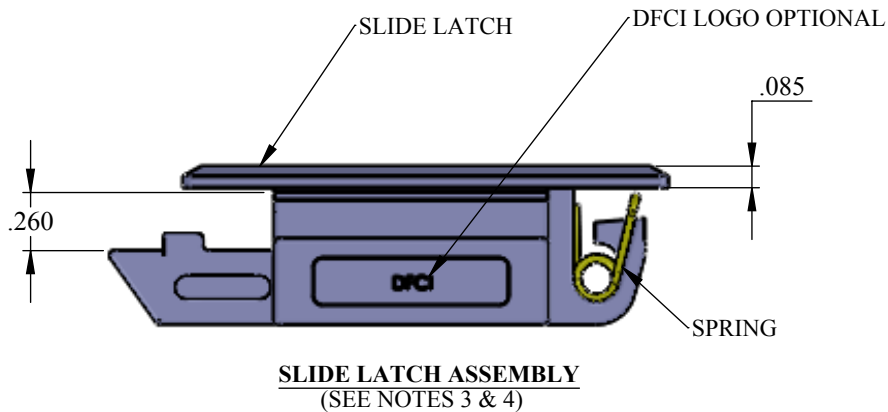
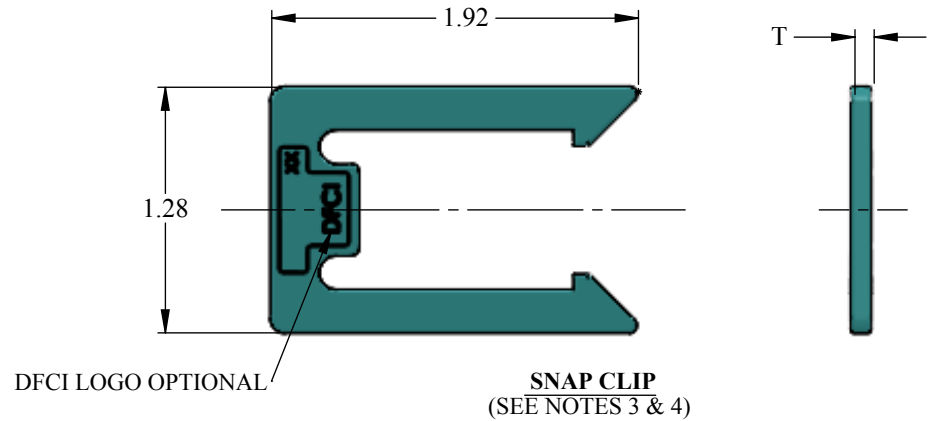
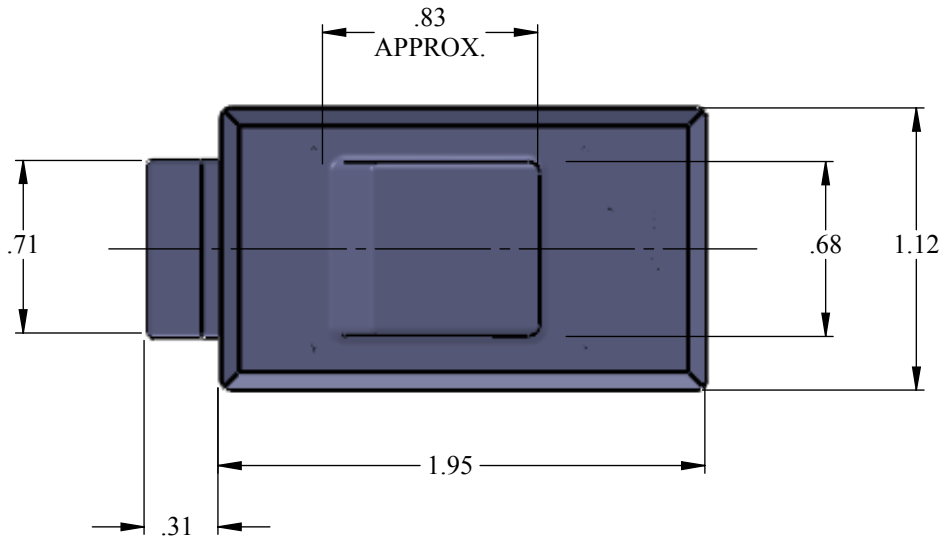


UNCONTROLLED

REVISIONS			
SYS	DESCRIPTION	DATE	APPROV
B	PER ECN 1205	11-11-11	



MATERIAL:	SEE NOTE 1
HEAT TREAT:	NONE
FINISH:	NONE
<small>THE FASTENER PARTS SHOWN IN THIS PRINT ARE PROPRIETARY ARTICLES TO WHICH DFCI SOLUTIONS INC., RETAINS THE EXCLUSIVE RIGHTS OF MANUFACTURE, USE AND SALE. THE PRINT OR DRAWING IS SUBMITTED IN CONFIDENCE AND DOES NOT CONVEY A LICENSE OR PERMISSION TO MANUFACTURE THE FASTENER OR FASTENER PARTS.</small>	
<small>(C) COPYRIGHT 2009, DFCI SOLUTIONS INC. ALL RIGHTS RESERVED.</small>	

TOLERANCES ON DIMENSIONS UNLESS OTHERWISE SPECIFIED			
	X* = ±2°	.XX = ±.015	MACHINE FINISH = 125/7
	X/X = ±1/32	.XXX = ±.010	
PART NO.	8404-600-BK	DRN	Frank Basile 11-11-11
		CHK.	Frank Basile 11-11-11
		ENG.	Robert Altkorn 11-11-11
		MFG.	Chetan J. Puri 11-11-11
		G.C.	Robert Altkorn 11-11-11
		SALES.	
NEXT ASSY	USED ON		
APPLICATION BLOCK			



DFCI SOLUTIONS INC.
425 UNION BOULEVARD.
WEST ISLIP, NEW YORK 11795

TITLE

SL-8400 SLIDE LATCH ASSEMBLY
8404-600-BK

SIZE	FSCM NO.	DWG. NO.	REV.
A	72794	C8404-600	B

SCALE: NTS WEIGHT: .0248 LBS. SHEET 1 OF 2

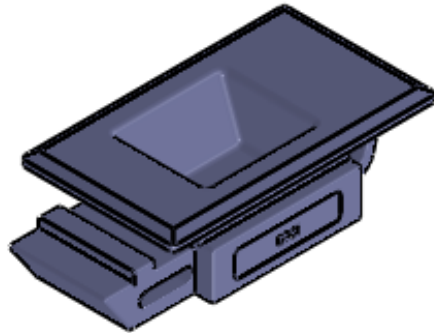
UNCONTROLLED


REVISIONS			
SYS	DESCRIPTION	DATE	APPROV
B	PER ECN 1205	11-11-11	

SLIDE LATCH ASSEMBLY PART NUMBER	COLOR	SNAP CLIP PART NUMBER SEE NOTES 3 & 4	PANEL THICKNESS RANGE	T CLIP THICKNESS
8404-600-BK SEE NOTES 2 & 3	BLACK STANDARD COLOR	8404-812-BK	.043 - .051	.125
		8404-816-BK	.055 - .067	.110
		8404-820-BK	.071 - .083	.094

NOTES:

- MATERIAL:
SLIDE LATCH: ABS FLAME RETARDENT
SNAP CLIP: ABS FLAME RETARDENT
SPRING: 300 SERIES STAINLESS STEEL
- ALTERNATIVE COLOR SLIDE LATCHES ARE AVAILABLE UPON REQUEST.
- SLIDE LATCH ASSEMBLY PART NUMBER 8404-600-BK DOES NOT INCLUDE SNAP CLIPS.
- TO PURCHASE THE SLIDE LATCH ASSEMBLY INCLUDING THE SNAP CLIP UNDER ONE PART NUMBER, REFER TO DRAWING NUMBER C8404-6



MATERIAL: SEE NOTE 1	TOLERANCES ON DIMENSIONS UNLESS OTHERWISE SPECIFIED X° = ±2° .XX = ±.015 X/X = ±1/32 .XXX = ±.010 MACHINE FINISH = .125				 <p>DFCI SOLUTIONS INC. 425 UNION BOULEVARD. WEST ISLIP, NEW YORK 11795</p>
HEAT TREAT: NONE	PART NO. 8404-600-BK	DRN <i>Frank Basile</i> 11-11-11	DATE 11-11-11	TITLE SL-8400 SLIDE LATCH ASSEMBLY 8404-600-BK	
FINISH: NONE		CHK. <i>Frank Basile</i> 11-11-11	DATE 11-11-11		SIZE A FSCM NO. 72794 DWG. NO. C8404-600 REV. B
THE FASTENER PARTS SHOWN IN THIS PRINT ARE PROPRIETARY ARTICLES TO WHICH DFCI SOLUTIONS INC., RETAINS THE EXCLUSIVE RIGHTS OF MANUFACTURE, USE AND SALE. THE PRINT OR DRAWING IS SUBMITTED IN CONFIDENCE AND DOES NOT CONVEY A LICENSE OR PERMISSION TO MANUFACTURE THE FASTENER OR FASTENER PARTS.		ENG. <i>Robert Altkorn</i> 11-11-11	DATE 11-11-11	SCALE: NTS WEIGHT: .0248 LBS. SHEET 2 OF 2	
(C) COPYRIGHT 2009, DFCI SOLUTIONS INC. ALL RIGHTS RESERVED.	NEXT ASSY USED ON	MFG. <i>Charles J. Parnell</i> 11-11-11	DATE 11-11-11		
		Q.C. <i>Robert Altkorn</i> 11-11-11	DATE 11-11-11		
	APPLICATION BLOCK	SALES.	DATE		