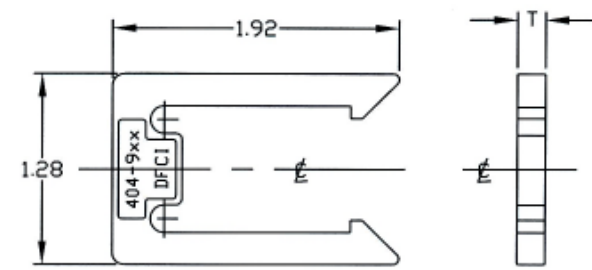
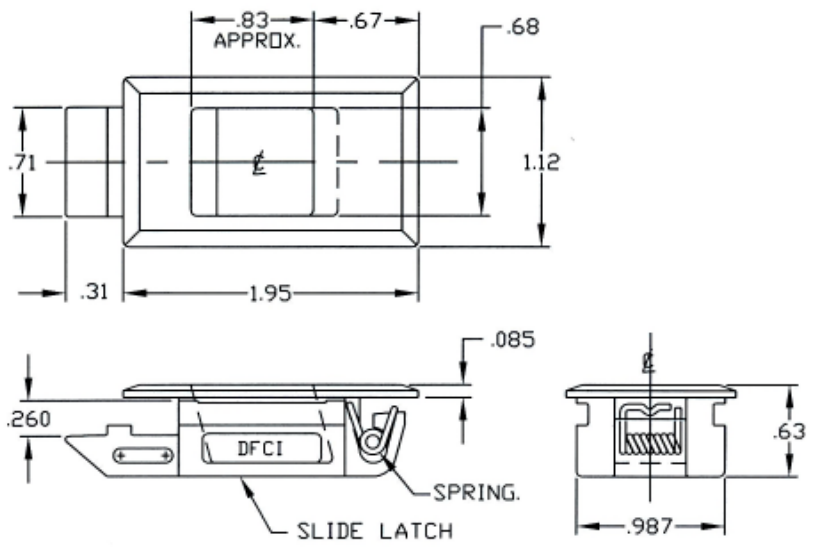


UNCONTROLLED

C8404-6 SHT. 1 of 2 REV. C

REVISIONS			
SYM	DESCRIPTION	DATE	APPROV
C	CHNG DWG NO PER ECN 1159	8-12-09	FJB



SNAPCLIP
(SEE NOTE 4.)

SLIDE LATCH ASSY.
(SEE NOTE 4.)

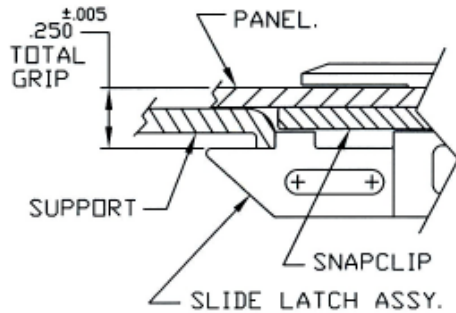
FOR PART NO. REFER TO SHEET 2.

MAT'L PER NOTE 1.	TOLERANCES ON DIMENSIONS UNLESS OTHERWISE SPECIFIED X = ±2* .XX = ±.015 X/X = ±1/32 .XXX = ±.010		MACHINE FINISH .125		DFCI SOLUTIONS INC. 425 UNION BOULEVARD WEST ISLIP, NEW YORK 11795	
HEAT TREAT NONE.	PART NO.	DRN S. F. RADICIS	DATE 6-17-03	TITLE SL-8400 SLIDE LATCH ASSY. 8404-60x-BK		
FINISH CLEAN & FREE OF BURRS.		CHK F. Basile	DATE 8-17-09			
		ENG B. Hilder	DATE 8/14/09			
		MFG B. Hilder	DATE 8/14/09			
THE FASTENER PARTS SHOWN IN THIS PRINT ARE PROPRIETARY ARTICLES TO WHICH DFCI SOLUTIONS INC. RETAINS THE EXCLUSIVE RIGHTS OF MANUFACTURE, USE AND SALE. THE PRINT OR DRAWING IS SUBMITTED IN CONFIDENCE AND DOES NOT CONVEY A LICENSE OR PERMISSION TO MANUFACTURE THE FASTENER OR FASTENER PARTS. © COPYRIGHT 2003, DFCI SOLUTIONS INC. ALL RIGHTS RESERVED	NEXT ASSY	USED ON	DATE 8/14/09	SIZE A	FSCM NO 72794	DWG. NO. C8404-6
DATE: 07/01/06 FORM: DRAWING	APPLICATION BLOCK	SALES	DATE	SCALE NTS	WT.	REV. C
						SHEET 1 OF 2

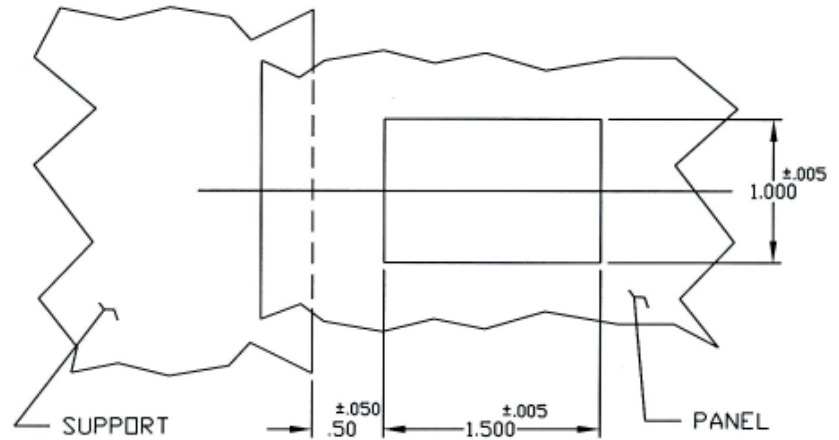
The parts shown in this print are proprietary articles to which DFCI Solutions, Inc. retains the exclusive rights of manufacture, use and sale. The print or drawing is submitted in confidence and does not convey a license or permission to manufacture the parts. Copyright © 2009 by DFCI Solutions, Inc. All rights reserved.

UNCONTROLLED

REVISIONS			
SYM	DESCRIPTION	DATE	APPROV
C	CHNG DWG NO PER ECN 1159	8-12-09	FB



GRIP DETAIL



SLIDE LATCH ASSY. MTG. HOLE DETAIL.

PART NO. SLIDE LATCH ASSY. W/SNAPCLIP	WEIGHT LBS.	SNAPCLIP PART NO. SEE NOTE 3	PANEL THICKNESS RANGE	T	COLOR
8404-601-BK	.0307	8404-912-BK	.043 - .051	.125	BLACK STANDARD COLOR (SEE NOTE 2 & 3)
8404-602-BK	.0300	8404-916-BK	.055 - .067	.110	
8404-603-BK	.0293	8404-920-BK	.071 - .083	.094	

NOTES:

- MATERIAL:
SLIDE LATCH : ABS, FLAME RETARDANT.
SNAPCLIP: ABS FLAME RETARDANT.
SPRING : 300 SERIES STAINLESS STEEL.
- OTHER COLORS AVAILABLE ON SPECIAL REQUEST.
- SNAPCLIP COLOR ARE SUPPLIED BLACK ONLY.
- TO PURCHASE ONLY THE SLIDE LATCH ASSY. REFER TO DRAWING NO. C8404-600.

MAT'L PER NOTE 1.	TOLERANCES ON DIMENSIONS UNLESS OTHERWISE SPECIFIED X = ±2" .XX = ±.015 X/X = ±1/32 .XXX = ±.010		MACHINE FINISH .125		DFCI SOLUTIONS INC. 425 UNION BOULEVARD WEST ISLIP, NEW YORK 11795	
HEAT TREAT NONE.	PART NO.	DRN S. FRANCOIS	DATE 6-17-03	TITLE SL-8400 SLIDE LATCH ASSY. 8404-60x-BK		
FINISH CLEAN & FREE OF BURRS.		CHK F. Basil	DATE 8-14-09	SIZE A	FSCM NO 72794	DWG. NO. C8404-6
THE FASTENER PARTS SHOWN IN THIS PRINT ARE PROPRIETARY ARTICLES TO WHICH DFCI SOLUTIONS INC. RETAINS THE EXCLUSIVE RIGHTS OF MANUFACTURE, USE AND SALE. THE PRINT OR DRAWING IS SUBMITTED IN CONFIDENCE AND DOES NOT CONVEY A LICENSE OR PERMISSION TO MANUFACTURE THE FASTENER OR FASTENER PARTS. © COPYRIGHT 2003, DFCI SOLUTIONS INC. ALL RIGHTS RESERVED.	NEXT ASSY	USED ON	DATE 8/14/09	SCALE NTS	WT.	REV. C
DATE: 07/01/06 FORM: DRAWING	APPLICATION BLOCK	SALES	DATE	SHEET 2 OF 2		