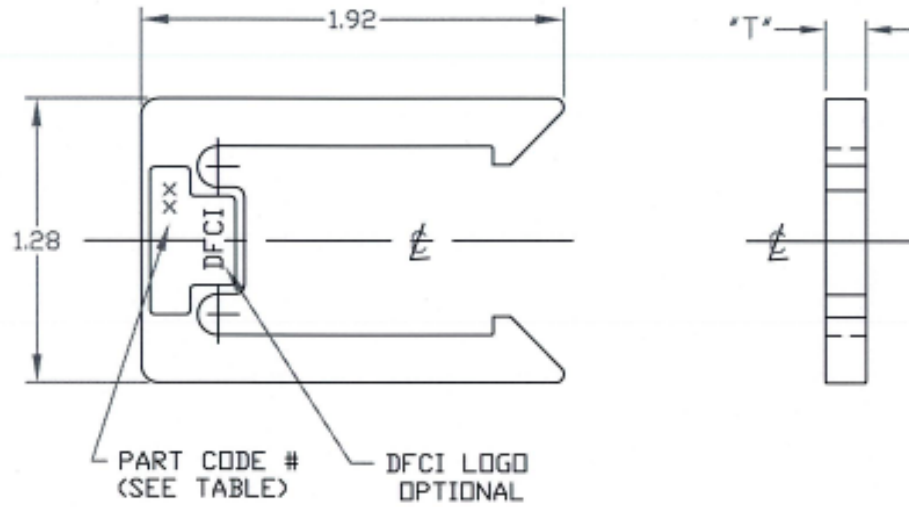


UNCONTROLLED

C8404-8 REV. C

REVISIONS			
SYM	DESCRIPTION	DATE	APPROV
C	CHNG TOL. PER ECN 1005	12-5-06	R. OLSON



SNAPCLIP PART NO.	PART CODE#	"T"	PANEL THICKNESS	STD. COLOR
8404-820-BK	20	.094	.071-.083	BLACK
8404-816-BK	16	.110	.055-.067	
8404-812-BK	12	.125	.043-.051	

MATL ABS PLASTIC FLAME RETARDANT.	TOLERANCES ON DIMENSIONS UNLESS OTHERWISE SPECIFIED X* = ±2* .XX = ±.015 X/X = ±1/32 .XXX = ±.010		MACHINE FINISH 125T		DFCI SOLUTIONS INC. 425 UNION BOULEVARD WEST ISLIP, NEW YORK 11795
	HEAT TREAT NONE.	PART NO.	DRN S. F. Rawls	DATE 4-26-05	
FINISH CLEAN AND FREE OF BURRS.		CHK F. Basil	DATE 12/11/06	ENG R. OLSON	DATE 12/11/06
<small>THE FASTENER PARTS SHOWN IN THIS PRINT ARE PROPRIETARY ARTICLES TO WHICH DFCI SOLUTIONS INC. RETAINS THE EXCLUSIVE RIGHTS OF MANUFACTURE, USE AND SALE. THE PRINT OR DRAWING IS SUBMITTED IN CONFIDENCE AND DOES NOT CONVEY A LICENSE OR PERMISSION TO MANUFACTURE THE FASTENER OR FASTENER PARTS. © COPYRIGHT 2006, DFCI SOLUTIONS INC. ALL RIGHTS RESERVED.</small>		MFG J	DATE 12-11-06	QC B. Hubble	DATE 12/11/06
	NEXT ASSY	USED ON	SALES	DATE	
	APPLICATION BLOCK				
DATE: 07/01/06	FORM: DRAWING	SIZE A	FSCM NO 72794	DWG. NO. C8404-8	REV. C
		SCALE NTS	WT.	SHEET 1 OF 1	

The parts shown in this print are proprietary articles to which DFCI Solutions, Inc. retains the exclusive rights of manufacture, use and sale. The print or drawing is submitted in confidence and does not convey a license or permission to manufacture the parts. Copyright © 2006 by DFCI Solutions, Inc. All rights reserved.