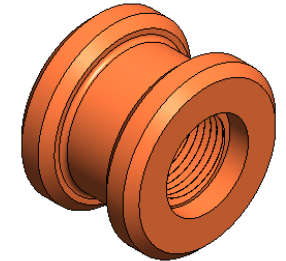
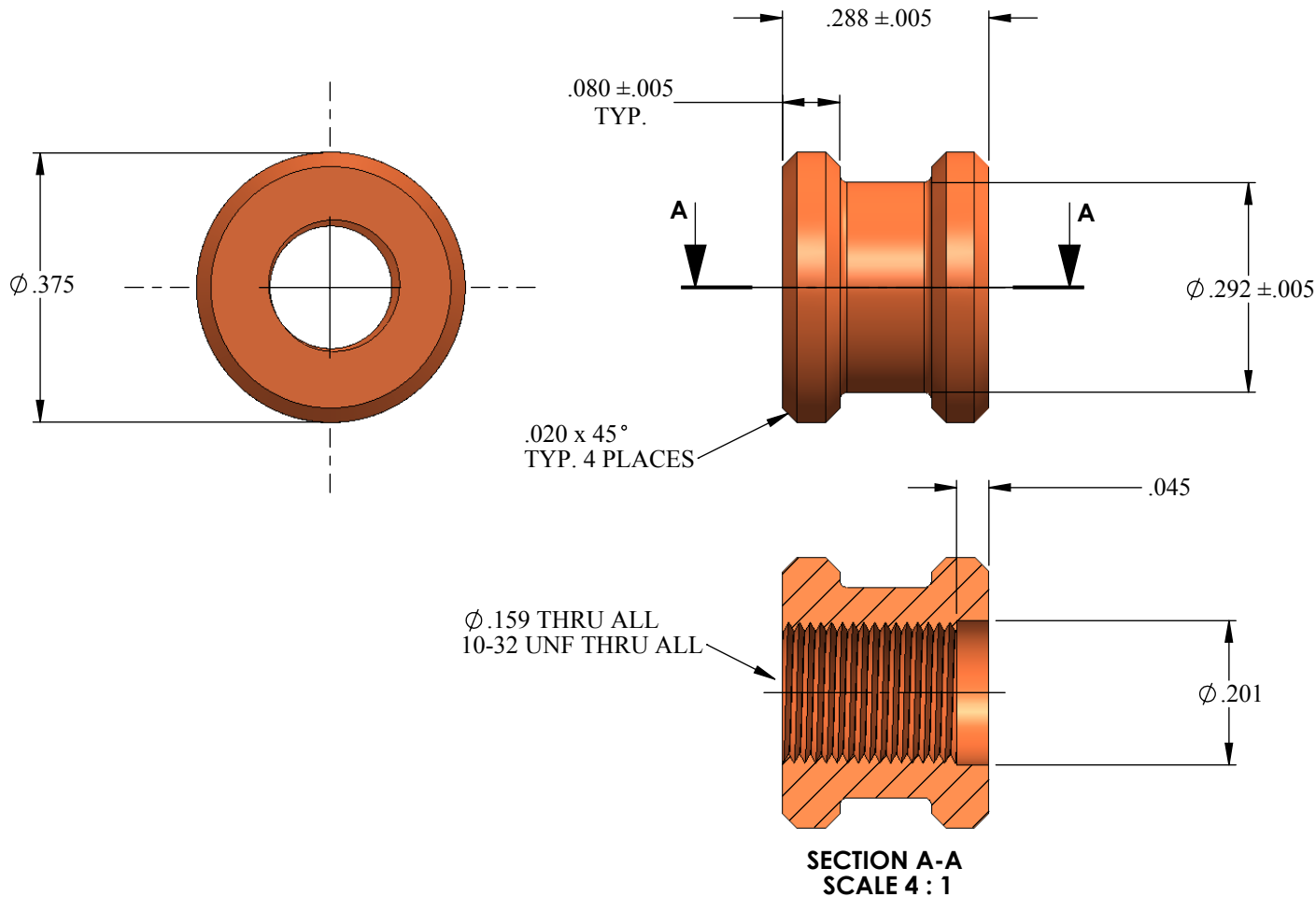


UNCONTROLLED

REVISIONS			
SYS	DESCRIPTION	DATE	APPROV
A	INITIAL RELEASE	02-29-12	FB



MATERIAL:	TYPE 303 STAINLESS STEEL
HEAT TREAT:	NONE
FINISH:	NONE
THE FASTENER PARTS SHOWN IN THIS PRINT ARE PROPRIETARY ARTICLES TO WHICH DFCI SOLUTIONS INC., RETAINS THE EXCLUSIVE RIGHTS OF MANUFACTURE, USE AND SALE. THE PRINT OR DRAWING IS SUBMITTED IN CONFIDENCE AND DOES NOT CONVEY A LICENSE OR PERMISSION TO MANUFACTURE THE FASTENER OR FASTENER PARTS.	
(C) COPYRIGHT 2009, DFCI SOLUTIONS INC. ALL RIGHTS RESERVED.	

TOLERANCES ON DIMENSIONS UNLESS OTHERWISE SPECIFIED			
X* = ±2°	.XX = ±.015	MACHINE FINISH = 125/7	
X/X = ±1/32	.XXX = ±.010		
PART NO.	8415-03-241881-SS	DRN	DATE
		Frank Basile	02-29-12
		CHK. Frank Basile	02-29-12
		ENG. Peter Albrecht	02-29-12
		MFG. Charles J. Pinnell	02-29-12
		G.C. Peter Albrecht	02-29-12
		SALES.	DATE
NEXT ASSY	USED ON		
APPLICATION BLOCK			

		DFCI SOLUTIONS INC. 425 UNION BOULEVARD. WEST ISLIP, NEW YORK 11795	
TITLE: SL-8400 SLIDE LATCH BUSHING 8415-03-241881-SS			
SIZE	FSCM NO.	DWG. NO.	REV.
A	72794	C8415-03-241881-SS	A
SCALE: NTS		WEIGHT:	SHEET 1 OF 1