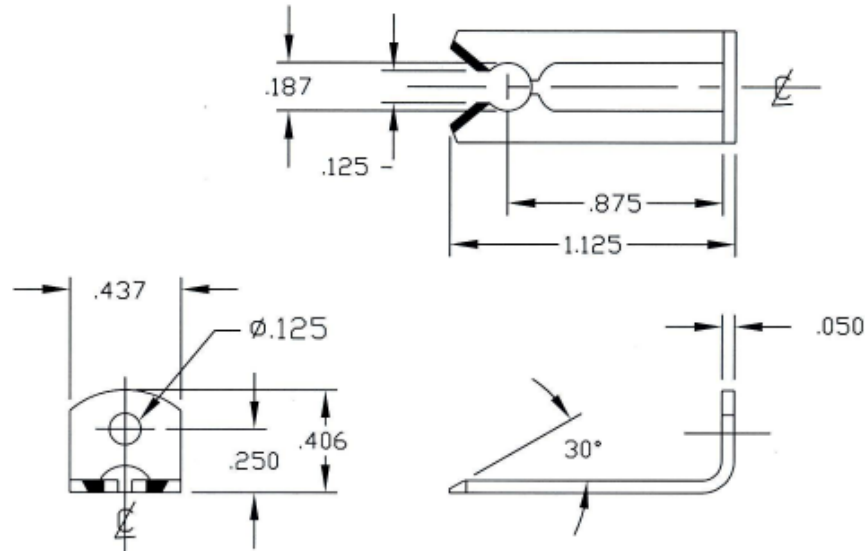


UNCONTROLLED

C8415-1B-01 REV. A

REVISIONS			
SYM	DESCRIPTION	DATE	APPROV
A	INITIAL RELEASE PER ECN 845.	3-10-09	FB



SLIDE LATCH P/N
8415-1B-01-SS

MAT'L TYPE 302/304 ST. STEEL.		TOLERANCES ON DIMENSIONS UNLESS OTHERWISE SPECIFIED $X = \pm 2^{\circ}$.XX = $\pm .015$ $X/X = \pm 1/32$.XXX = $\pm .010$ MACHINE FINISH .125/			DFCI SOLUTIONS INC. 425 UNION BOULEVARD WEST ISLIP, NEW YORK 11795		
HEAT TREAT NONE.		PART NO.			TITLE SL-8400 SLIDE LATCH, 8415-1B-01-SS.		
FINISH CLEAN & FREE OF BURRS.		DRN S. FRANAS DATE 3-10-09			SIZE A		FSCM NO 72794
<small>THE FASTENER PARTS SHOWN IN THIS PRINT ARE PROPRIETARY ARTICLES TO WHICH DFCI SOLUTIONS INC. RETAINS THE EXCLUSIVE RIGHTS OF MANUFACTURE, USE AND SALE. THE PRINT OR DRAWING IS SUBMITTED IN CONFIDENCE AND DOES NOT CONVEY A LICENSE OR PERMISSION TO MANUFACTURE THE FASTENER OR FASTENER PARTS.</small> <small>© COPYRIGHT 2003, DFCI SOLUTIONS INC. ALL RIGHTS RESERVED.</small>		CHK F. Basile DATE 3-24-09			DWG. NO. C8415-1B-01		REV. A
		ENG B. Kildner DATE 3-24-09			SCALE NTS		WT.
		MFG DATE 3-24-09			SHEET 1 OF 1		
APPLICATION BLOCK		OCB B. Kildner DATE 3-24-09					
		SALES					

DATE: 07/01/06 FORM: DRAWING

The parts shown in this print are proprietary articles to which DFCI Solutions, Inc. retains the exclusive rights of manufacture, use and sale. The print or drawing is submitted in confidence and does not convey a license or permission to manufacture the parts. Copyright © 2009 by DFCI Solutions, Inc. All rights reserved.