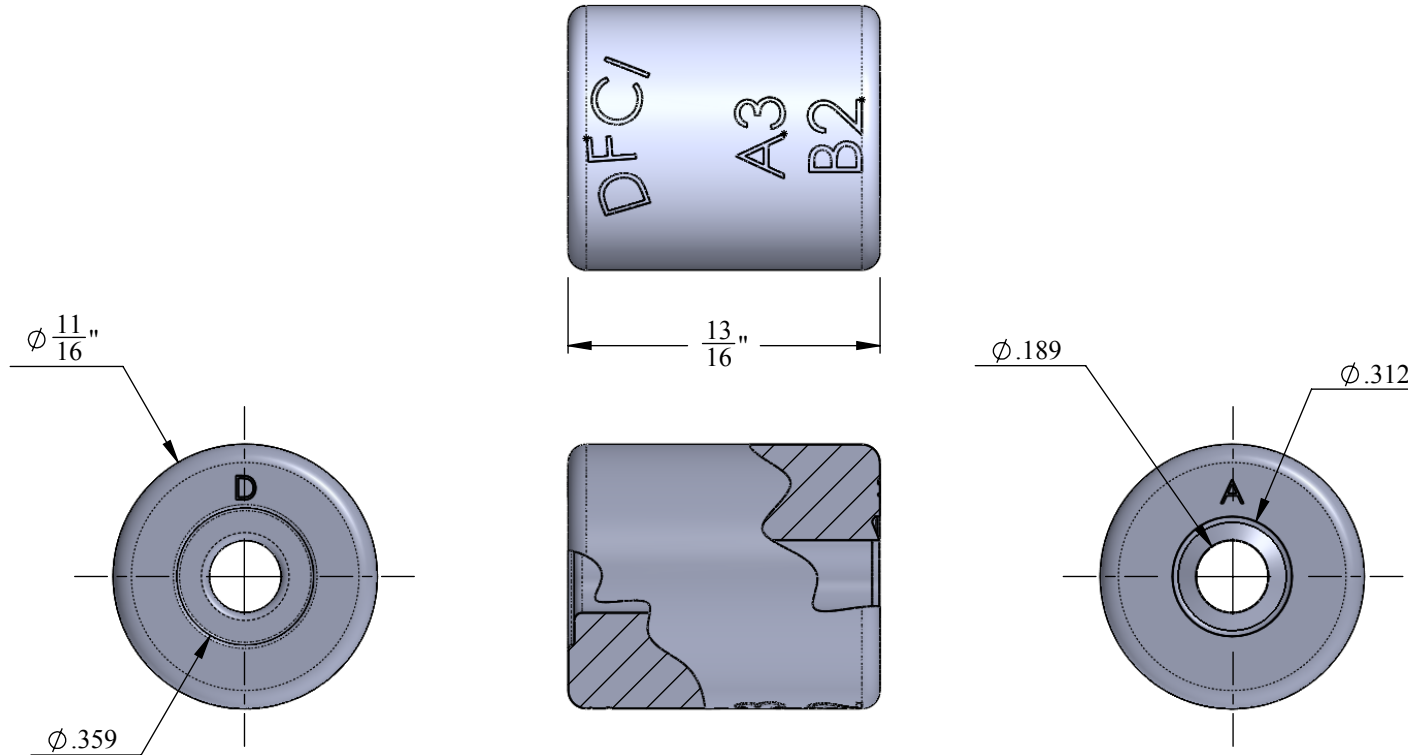



UNCONTROLLED

REVISIONS			
SYS	DESCRIPTION	DATE	APPROV
A	PER ECN 845, 1168 & 1176	12-11-09	F.B.



MATERIAL:	A.I.S.I 1018-1020 STEEL OR A.I.S.I 8620 STEEL
HEAT TREAT:	CASE HARDEN .015 DP.
FINISH:	BLACK BEAR (RUST INHIBITOR)
<small>THE FASTENER PARTS SHOWN IN THIS PRINT ARE PROPERTY ARTICLES TO WHICH DFCI SOLUTIONS INC., RETAINS THE EXCLUSIVE RIGHTS OF MANUFACTURE, USE AND SALE. THE PRINT OF DRAWING IS SUBMITTED IN CONFIDENCE AND DOES NOT CONVEY A LICENSE OR PERMISSION TO MANUFACTURE THE FASTENER OR FASTENER PARTS.</small>	
(C) COPYRIGHT 2009, DFCI SOLUTIONS INC. ALL RIGHTS RESERVED.	

TOLERANCES ON DIMENSIONS UNLESS OTHERWISE SPECIFIED			
X* = ±2°	.XX = ±.010	MACHINE FINISH = .125	
X/X = ±1/32	.XXX = ±.015		
PART NO.	DRN	DATE	
	CHK. <i>Zhindaon V.</i>	DATE	12/11/09
	<i>Frank Basile</i>	DATE	12/11/09
	ENG. <i>Bill Velazquez</i>	DATE	12/11/09
	MFG. <i>Bill Velazquez</i>	DATE	12/14/09
	Q.C. <i>Bill Velazquez</i>	DATE	12/11/09
NEXT ASSY	USED ON	SALES.	DATE
	APPLICATION BLOCK		



DFCI SOLUTIONS INC.
425 UNION BOULEVARD.
WEST ISLIP, NEW YORK 11795

<p>INSTALLATION TOOL 9902-2-13-BB</p>			
SIZE	FSCM NO.	DWG. NO.	REV.
A	72794	C9902-2-13	A
SCALE: NTS		WEIGHT:	SHEET 1 OF 1