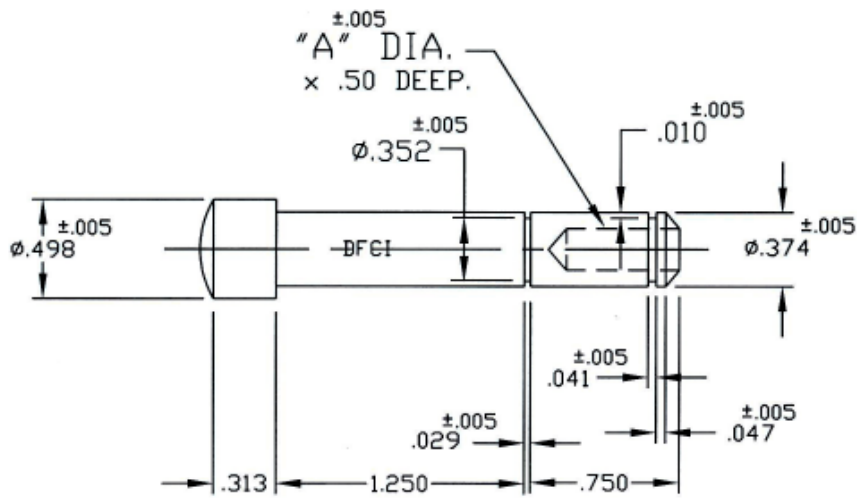


UNCONTROLLED

C9903-T643-5 REV. A

REVISIONS			
SYM	DESCRIPTION	DATE	APPROV
A	INITIAL RELEASE PER ECN 845	7-20-09	<i>JB</i>



PART NO.	A DIA.
9903-T643-5-BB	.218
9903-T643-5A-BB	.203

MAT'L TOOL STEEL.	TOLERANCES ON DIMENSIONS UNLESS OTHERWISE SPECIFIED X = ±2" .XX = ±.015 X/X = ±1/32 .XXX = ±.010 MACHINE FINISH .125		DFCI SOLUTIONS INC. 425 UNION BOULEVARD WEST ISLIP, NEW YORK 11795	
HEAT TREAT TOOL STEEL COND.	PART NO.	DRN <i>S. F. Radwan</i>	DATE 7-20-09	TITLE FLAIRING PUNCH, HAND SQUEEZE TOOL, AHT TYPE.
FINISH BLACK BEAR, RUST INHIBITOR.		CHK <i>F. Basile</i>	DATE 7-21-09	
		ENG <i>B. Hester</i>	DATE 7/21/09	SIZE A
		MEG <i>B. Hester</i>	DATE 7/21/09	FSCM NO 72794
		QC <i>B. Hester</i>	DATE 7/21/09	DWG. NO. C9903-T643-5
	NEXT ASSY	USED ON	SALES	REV. A
	APPLICATION BLOCK		SCALE NTS	WT.
				SHEET 1 OF 1

DATE: 07/01/06 FORM: DRAWING

The parts shown in this print are proprietary articles to which DFCI Solutions, Inc. retains the exclusive rights of manufacture, use and sale. The print or drawing is submitted in confidence and does not convey a license or permission to manufacture the parts. Copyright © 2009 by DFCI Solutions, Inc. All rights reserved.