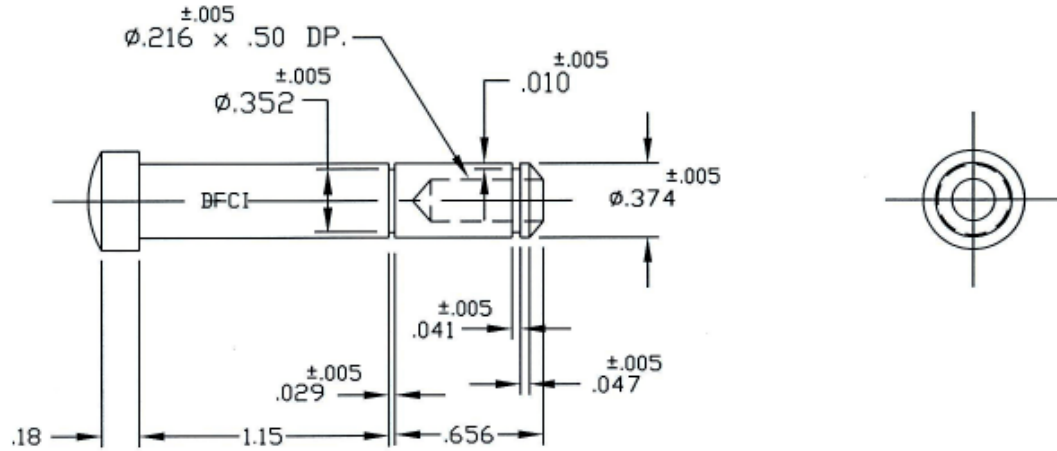


UNCONTROLLED

C9903-T674-2 REV. *B*

REVISIONS			
SYM	DESCRIPTION	DATE	APPROV
B	DIM. 1.15 & .18 CHNG ECN 1156	7-28-09	<i>ZB</i>



PART NO.  
9903-T674-2-BB

MAT'L TOOL STEEL.	TOLERANCES ON DIMENSIONS UNLESS OTHERWISE SPECIFIED X = ±2° .XX = ±.015 X/X = ±1/32 .XXX = ±.010 MACHINE FINISH .125		DFCI SOLUTIONS INC. 425 UNION BOULEVARD WEST ISLIP, NEW YORK 11795	
HEAT TREAT TOOL STEEL COND.	PART NO.	DRN S. F. <i>FRANCOIS</i>	DATE 7-20-09	TITLE FLAIRING PUNCH, HAND SQUEEZE TOOL, VSHT TYPE.
FINISH BLACK BEAR, RUST INHIBITOR.		CHK <i>F. Brasil</i>	DATE 7-28-09	
<small>THE FASTENER PARTS SHOWN IN THIS PRINT ARE PROPRIETARY ARTICLES TO WHICH DFCI SOLUTIONS INC. RETAINS THE EXCLUSIVE RIGHTS OF MANUFACTURE, USE AND SALE. THE PRINT OR DRAWING IS SUBMITTED IN CONFIDENCE AND DOES NOT CONVEY A LICENSE OR PERMISSION TO MANUFACTURE THE FASTENER OR FASTENER PARTS.</small> <small>© COPYRIGHT 2003, DFCI SOLUTIONS INC. ALL RIGHTS RESERVED.</small>	NEXT ASSY	USED ON	DATE 7-28-09	SIZE A
	APPLICATION BLOCK	SALES	DATE 7-28-09	FSCM NO 72794
DATE: 07/01/06 FORM: DRAWING				DWG. NO. C9903-T674-2
				REV. B
				SCALE NTS
				WT.
				SHEET 1 OF 1

The parts shown in this print are proprietary articles to which DFCI Solutions, Inc. retains the exclusive rights of manufacture, use and sale. The print or drawing is submitted in confidence and does not convey a license or permission to manufacture the parts. Copyright © 2009 by DFCI Solutions, Inc. All rights reserved.