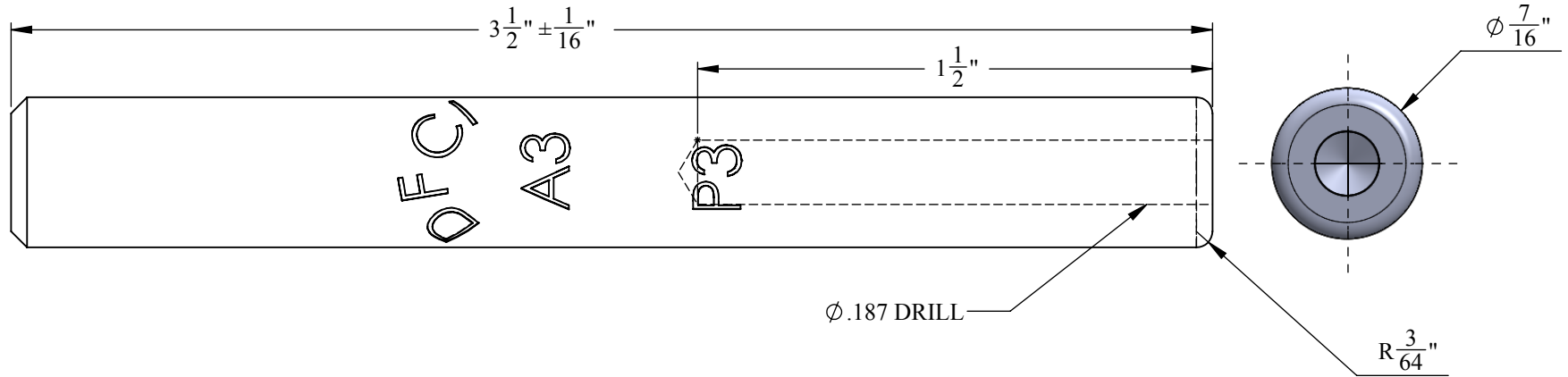


UNCONTROLLED

REVISIONS			
SYS	DESCRIPTION	DATE	APPROV
A	PER ECN 845, 1168 & 1176	12-10-09	F.B.



MATERIAL:	A.I.S.I 1018-1020 STEEL OR A.I.S.I 8620 STEEL
HEAT TREAT:	CASE HARDEN .015 DP.
FINISH:	BLACK BEAR (RUST INHIBITOR)
<small>THE FASTENER PARTS SHOWN IN THIS PRINT ARE PROPERTY ARTICLES TO WHICH DFCI SOLUTIONS INC., RETAINS THE EXCLUSIVE RIGHTS OF MANUFACTURE, USE AND SALE. THE PRINT OF DRAWING IS SUBMITTED IN CONFIDENCE AND DOES NOT CONVEY A LICENSE OR PERMISSION TO MANUFACTURE THE FASTENER OR FASTENER PARTS.</small>	
(C) COPYRIGHT 2009, DFCI SOLUTIONS INC. ALL RIGHTS RESERVED.	

TOLERANCES ON DIMENSIONS UNLESS OTHERWISE SPECIFIED			
X* = ±2°	.XX = ±.015	MACHINE FINISH = 125/7	
X/X = ±1/32	.XXX = ±.010		
PART NO.	DRN	DATE	
	<i>Zhinson V.</i>	12/09/09	
	<i>Frank Basile</i>	12/09/09	
	<i>Bob Altkorn</i>	12/09/09	
	<i>Bill Velazquez</i>	12/14/09	
	<i>Bob Altkorn</i>	12/09/09	
NEXT ASSY	USED ON	G.C.	DATE
APPLICATION BLOCK	SALES.	DATE	

DFCI SOLUTIONS INC.
425 UNION BOULEVARD.
WEST ISLIP, NEW YORK 11795

<p>INSTALLATION TOOL 9916-3-13-BB</p>			
SIZE	FSCM NO	DWG. NO.	REV.
A	72794	C9916-3-13	A
SCALE: NTS		WEIGHT:	SHEET 1 OF 1