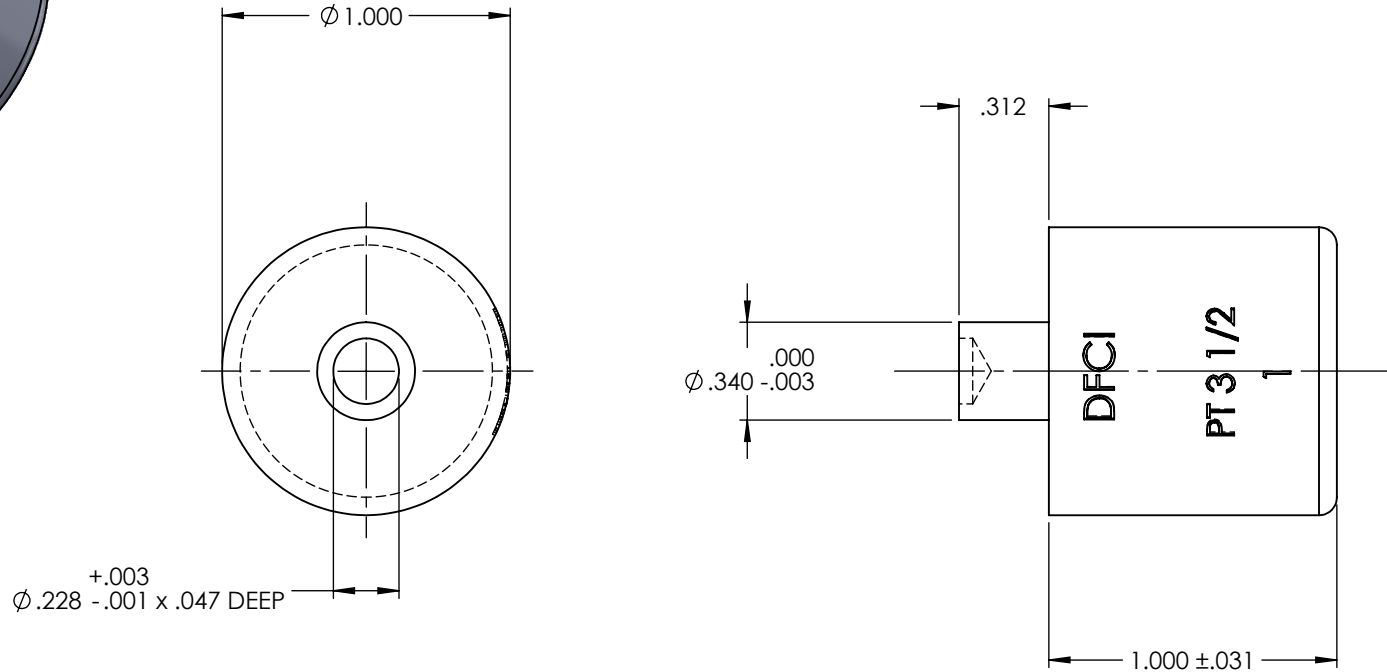


REVISIONS			
SYS	DESCRIPTION	DATE	APPROV
/	INITIAL RELEASE	11/05/14	



BLOCK #1

UNCONTROLLED

MATERIAL:	CARBON STEEL
HEAT TREAT:	CASE HARDEN
FINISH:	BLACK BEAR (RUST INHIBITOR)
<small>THE FASTENER PARTS SHOWN IN THIS PRINT ARE PROPRIETARY ARTICLES TO WHICH DFCI SOLUTIONS INC., RETAINS THE EXCLUSIVE RIGHTS OF MANUFACTURE, USE AND SALE. THE PRINT OR DRAWING IS SUBMITTED IN CONFIDENCE AND DOES NOT CONVEY A LICENSE OR PERMISSION TO MANUFACTURE THE FASTENER OR FASTENER PARTS.</small>	
<small>(C) COPYRIGHT 2009, DFCI SOLUTIONS INC. ALL RIGHTS RESERVED.</small>	

TOLERANCES ON DIMENSIONS UNLESS OTHERWISE SPECIFIED			
X° = ±2°	.XX = ±.015	MACHINE FINISH = .125	
X/X = ±1/32	.XXX = ±.010		
PART NO.	9902-1-162035-BB	DRN	Frank Basile
		DATE	11/05/14
		CHK.	Frank Basile
		DATE	11/05/14
		ENG.	Ed Albrand
		DATE	11/05/14
		MFG.	Rashid Zubair
		DATE	11/05/14
		G.C.	Ed Albrand
		DATE	11/05/14
NEXT ASSY	USED ON	SALES.	
APPLICATION BLOCK		DATE	



DFCI SOLUTIONS INC.
425 UNION BOULEVARD.
WEST ISLIP, NEW YORK 11795

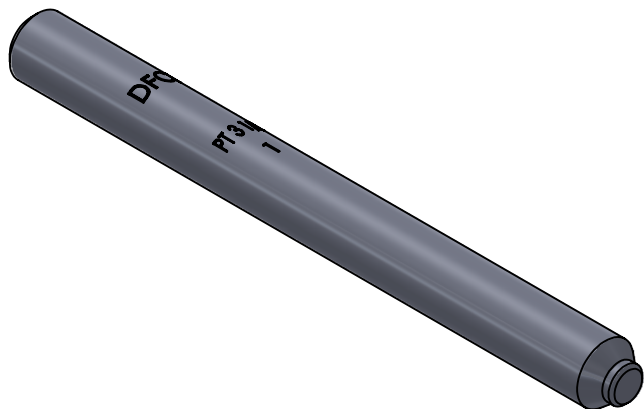
PA-3500 LINE INSTALLATION TOOL SET
9920-1620-35-BB

SIZE	FSCM NO.	DWG. NO.	REV.
A	72794	C9920-1620-35	/

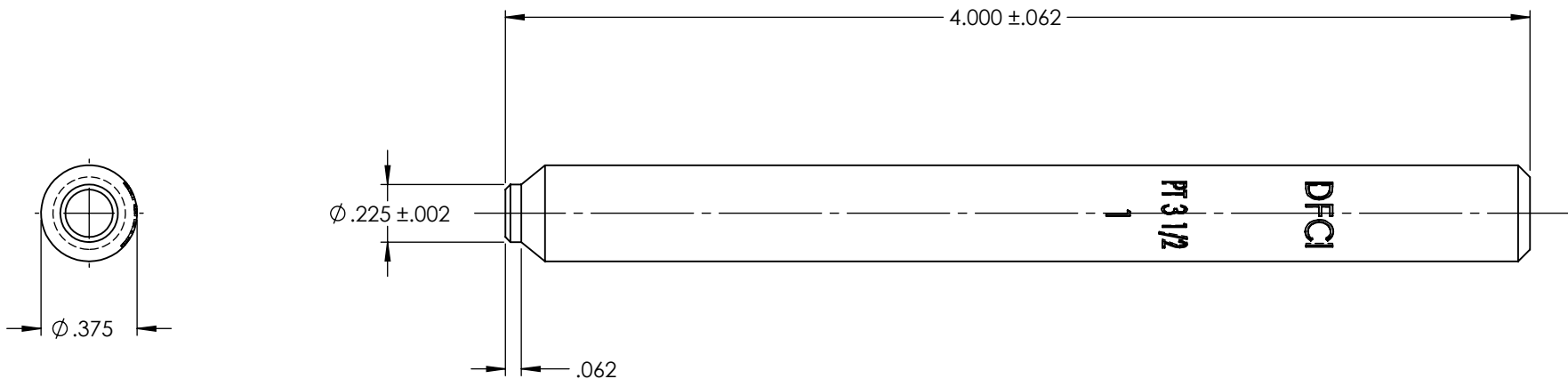
SCALE: NTS

WEIGHT:

SHEET 1 OF 5




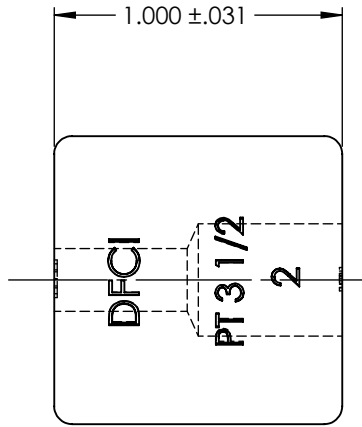
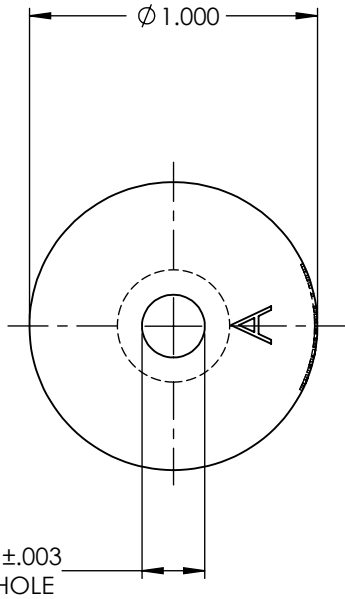
REVISIONS			
SYS	DESCRIPTION	DATE	APPROV
/	INITIAL RELEASE	11/05/14	



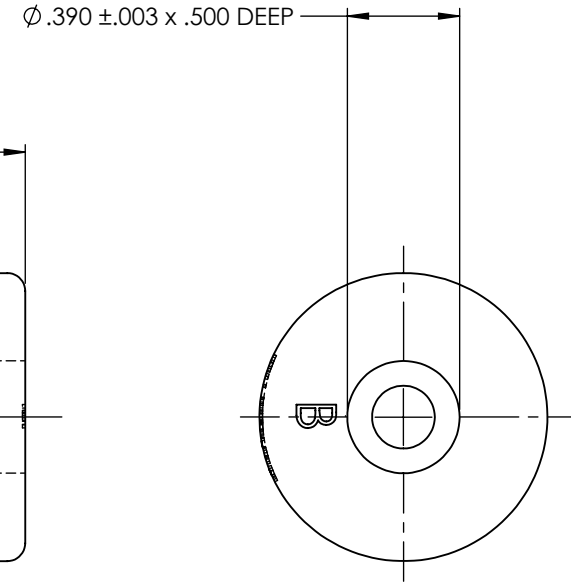
PUNCH #1

UNCONTROLLED

MATERIAL: CARBON STEEL	TOLERANCES ON DIMENSIONS UNLESS OTHERWISE SPECIFIED X° = ±2° .XX = ±.015 X/X = ±1/32 .XXX = ±.010 MACHINE FINISH = .125			 DFCI SOLUTIONS INC. 425 UNION BOULEVARD. WEST ISLIP, NEW YORK 11795
HEAT TREAT: CASE HARDEN	PART NO. 9916-1-162035-BB	DRN <i>Frank Basile</i> DATE 11/05/14	CHK. <i>Frank Basile</i> DATE 11/05/14	
FINISH: BLACK BEAR (RUST INHIBITOR)		ENG. <i>Robert Alldred</i> DATE 11/05/14	MFG. <i>Rashm Lubman</i> DATE 11/05/14	
THE FASTENER PARTS SHOWN IN THIS PRINT ARE PROPRIETARY ARTICLES TO WHICH DFCI SOLUTIONS INC., RETAINS THE EXCLUSIVE RIGHTS OF MANUFACTURE, USE AND SALE. THE PRINT OR DRAWING IS SUBMITTED IN CONFIDENCE AND DOES NOT CONVEY A LICENSE OR PERMISSION TO MANUFACTURE THE FASTENER OR FASTENER PARTS.		Q.C. <i>Robert Alldred</i> DATE 11/05/14	G.C. <i>Robert Alldred</i> DATE 11/05/14	
(C) COPYRIGHT 2009, DFCI SOLUTIONS INC. ALL RIGHTS RESERVED.	APPLICATION BLOCK	SALES.	DATE	TITLE PA-3500 LINE INSTALLATION TOOL SET 9920-1620-35-BB
				SIZE A FSCM NO. 72794 DWG. NO. C9920-1620-35 REV. /
				SCALE: NTS WEIGHT: SHEET 2 OF 5




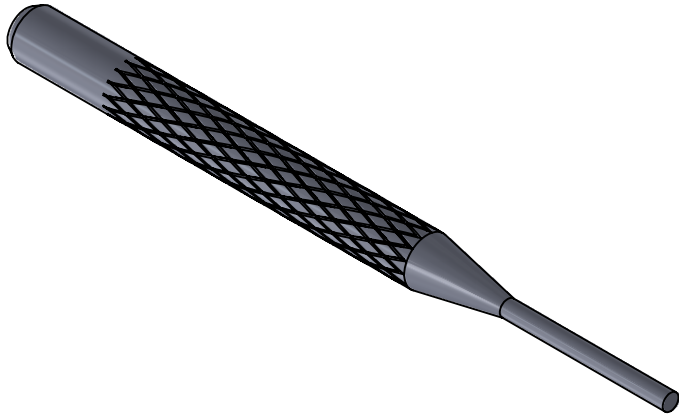
BLOCK #2



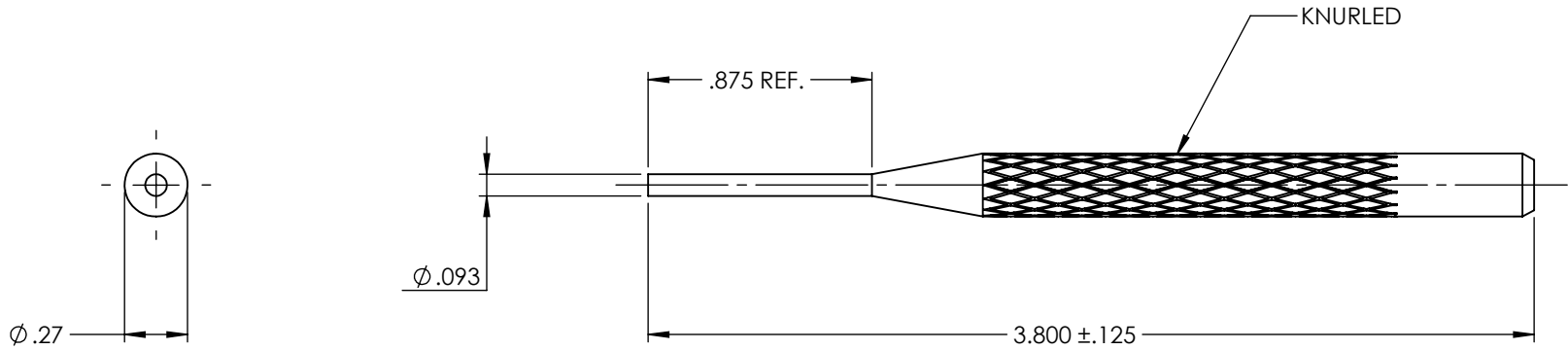
REVISIONS			
SYS	DESCRIPTION	DATE	APPROV
/	INITIAL RELEASE	11/05/14	

UNCONTROLLED

MATERIAL: CARBON STEEL	TOLERANCES ON DIMENSIONS UNLESS OTHERWISE SPECIFIED X° = ±2° .XX = ±.015 X/X = ±1/32 .XXX = ±.010 MACHINE FINISH = .125			 DFCI SOLUTIONS INC. 425 UNION BOULEVARD. WEST ISLIP, NEW YORK 11795
HEAT TREAT: CASE HARDEN	PART NO. 9902-2-162035-BB	DRN <i>Frank Basile</i> DATE 11/05/14	DATE 11/05/14	
FINISH: BLACK BEAR (RUST INHIBITOR)		CHK. <i>Frank Basile</i> DATE 11/05/14	DATE 11/05/14	
THE FASTENER PARTS SHOWN IN THIS PRINT ARE PROPRIETARY ARTICLES TO WHICH DFCI SOLUTIONS INC., RETAINS THE EXCLUSIVE RIGHTS OF MANUFACTURE, USE AND SALE. THE PRINT OR DRAWING IS SUBMITTED IN CONFIDENCE AND DOES NOT CONVEY A LICENSE OR PERMISSION TO MANUFACTURE THE FASTENER OR FASTENER PARTS. (C) COPYRIGHT 2009, DFCI SOLUTIONS INC. ALL RIGHTS RESERVED.		ENG. <i>Robert Altkorn</i> DATE 11/05/14	TITLE PA-3500 LINE INSTALLATION TOOL SET 9920-1620-35-BB	
		MFG. <i>Rashm Lubman</i> DATE 11/05/14	DATE 11/05/14	
		G.C. <i>Robert Altkorn</i> DATE 11/05/14	DATE 11/05/14	
	NEXT ASSY	USED ON	SALES.	
	APPLICATION BLOCK			
			SCALE: NTS	SIZE A FSCM NO. 72794 DWG. NO. C9920-1620-35 WEIGHT: SHEET 3 OF 5




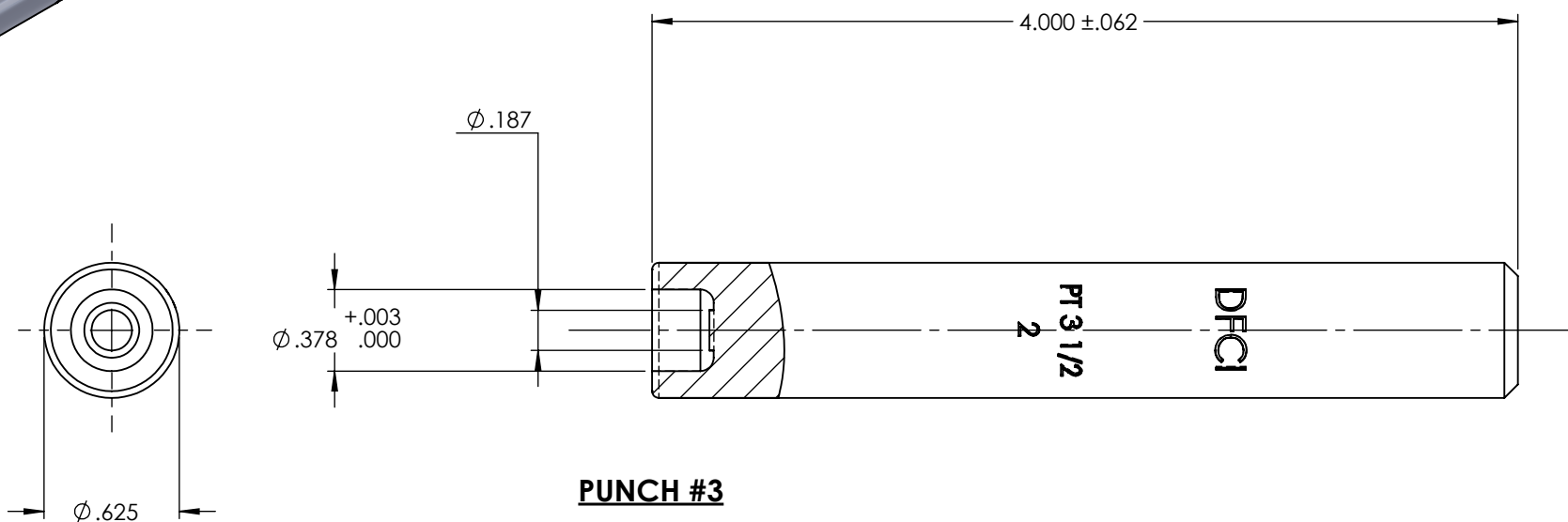
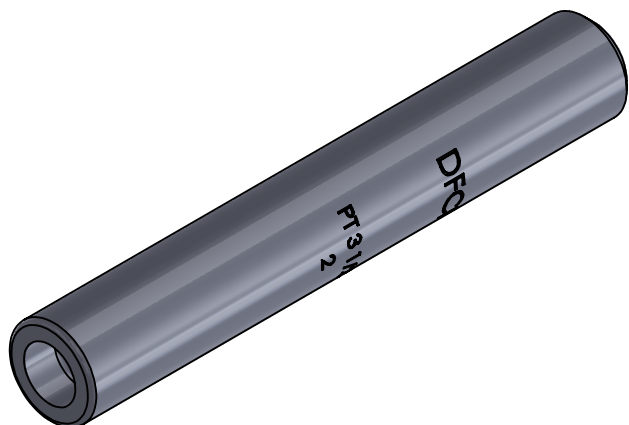
REVISIONS			
SYS	DESCRIPTION	DATE	APPROV
/	INITIAL RELEASE	11/05/14	



PUNCH #3


UNCONTROLLED

MATERIAL: CARBON STEEL	TOLERANCES ON DIMENSIONS UNLESS OTHERWISE SPECIFIED X° = ±2° .XX = ±.015 X/X = ±1/32 .XXX = ±.010 MACHINE FINISH = .125			 DFCI SOLUTIONS INC. 425 UNION BOULEVARD. WEST ISLIP, NEW YORK 11795
HEAT TREAT: CASE HARDEN	PART NO. 9916-3-162035-BB	DRN <i>Frank Basile</i>	DATE 11/05/14	
FINISH: BLACK BEAR (RUST INHIBITOR)		CHK. <i>Frank Basile</i>	DATE 11/05/14	
THE FASTENER PARTS SHOWN IN THIS PRINT ARE PROPRIETARY ARTICLES TO WHICH DFCI SOLUTIONS INC., RETAINS THE EXCLUSIVE RIGHTS OF MANUFACTURE, USE AND SALE. THE PRINT OR DRAWING IS SUBMITTED IN CONFIDENCE AND DOES NOT CONVEY A LICENSE OR PERMISSION TO MANUFACTURE THE FASTENER OR FASTENER PARTS. (C) COPYRIGHT 2009, DFCI SOLUTIONS INC. ALL RIGHTS RESERVED.		ENG. <i>Robert Altkorn</i>	DATE 11/05/14	TITLE PA-3500 LINE INSTALLATION TOOL SET 9920-1620-35-BB
		MFG. <i>Rashm Lubman</i>	DATE 11/05/14	
	NEXT ASSY	USED ON	G.C. <i>Robert Altkorn</i>	DATE 11/05/14
APPLICATION BLOCK		SALES.	DATE	SCALE: NTS WEIGHT: SHEET 4 OF 5



REVISIONS			
SYS	DESCRIPTION	DATE	APPROV
/	INITIAL RELEASE	11/05/14	

UNCONTROLLED

MATERIAL: CARBON STEEL	TOLERANCES ON DIMENSIONS UNLESS OTHERWISE SPECIFIED X° = ±2° .XX = ±.015 X/X = ±1/32 .XXX = ±.010 MACHINE FINISH = .125			 DFCI SOLUTIONS INC. 425 UNION BOULEVARD. WEST ISLIP, NEW YORK 11795
HEAT TREAT: CASE HARDEN	PART NO. 9916-2-162035-BB	DRN <i>Frank Basile</i>	DATE 11/05/14	
FINISH: BLACK BEAR (RUST INHIBITOR)		CHK. <i>Frank Basile</i>	DATE 11/05/14	
THE FASTENER PARTS SHOWN IN THIS PRINT ARE PROPRIETARY ARTICLES TO WHICH DFCI SOLUTIONS INC., RETAINS THE EXCLUSIVE RIGHTS OF MANUFACTURE, USE AND SALE. THE PRINT OR DRAWING IS SUBMITTED IN CONFIDENCE AND DOES NOT CONVEY A LICENSE OR PERMISSION TO MANUFACTURE THE FASTENER OR FASTENER PARTS. (C) COPYRIGHT 2009, DFCI SOLUTIONS INC. ALL RIGHTS RESERVED.		ENG. <i>Robert Alldorand</i>	DATE 11/05/14	
		MFG. <i>Rashid Ibrahim</i>	DATE 11/05/14	
		G.C. <i>Robert Alldorand</i>	DATE 11/05/14	
	NEXT ASSY	USED ON	SALES.	TITLE PA-3500 LINE INSTALLATION TOOL SET 9920-1620-35-BB
	APPLICATION BLOCK			SIZE A FSCM NO. 72794 DWG. NO. C9920-1620-35 REV. /
				SCALE: NTS WEIGHT: SHEET 5 OF 5