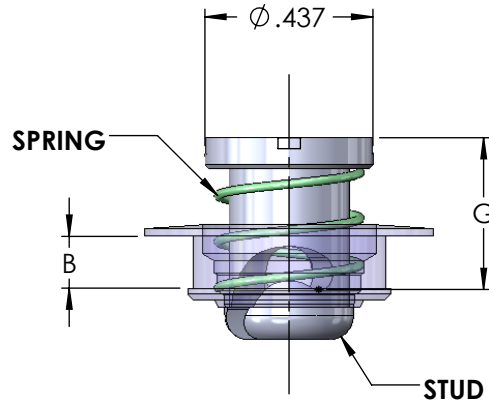
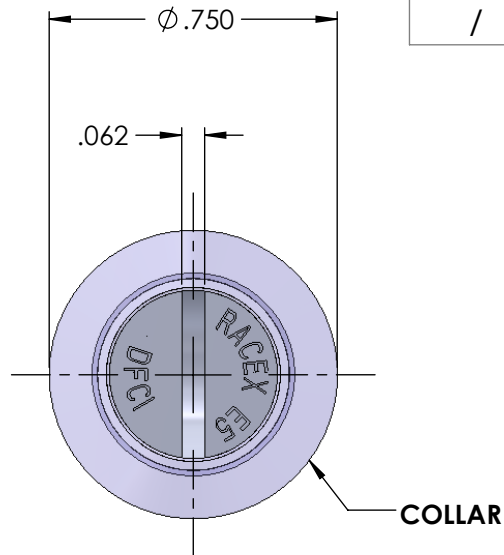
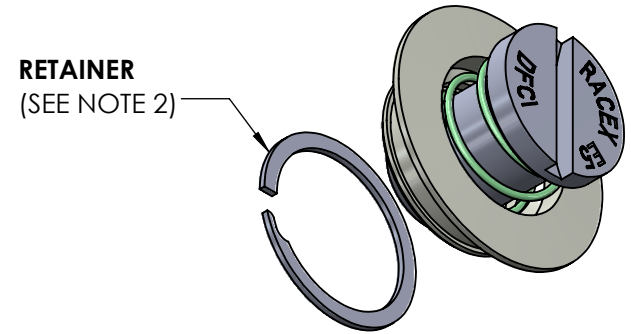


PART NUMBER	G	B
RACEX-E540-1-SS	.400	.135
RACEX-E540-2-SS	.400	.195
RACEX-E540-3-SS	.400	.235
RACEX-E545-1-SS	.450	.135
RACEX-E545-2-SS	.450	.195
RACEX-E545-3-SS	.450	.235
RACEX-E550-1-SS	.500	.135
RACEX-E550-2-SS	.500	.195
RACEX-E550-3-SS	.500	.235
RACEX-E555-1-SS	.550	.135
RACEX-E555-2-SS	.550	.195
RACEX-E555-3-SS	.550	.235
RACEX-E560-1-SS	.600	.135
RACEX-E560-2-SS	.600	.195
RACEX-E560-3-SS	.600	.235
RACEX-E565-1-SS	.650	.135
RACEX-E565-2-SS	.650	.195
RACEX-E565-3-SS	.650	.235
RACEX-E570-1-SS	.700	.135
RACEX-E570-2-SS	.700	.195
RACEX-E570-3-SS	.700	.235
RACEX-E575-1-SS	.750	.135
RACEX-E575-2-SS	.750	.195
RACEX-E575-3-SS	.750	.235
RACEX-E580-1-SS	.800	.135
RACEX-E580-2-SS	.800	.195
RACEX-E580-3-SS	.800	.235
RACEX-E585-1-SS	.850	.135
RACEX-E585-2-SS	.850	.195
RACEX-E585-3-SS	.850	.235



REVISIONS			
SYS	DESCRIPTION	DATE	APPROV
/	INITIAL RELEASE	01/13/15	



**NOTES:**

- MATERIAL:  
 STUD - TYPE 303 STAINLESS STEEL  
 COLLAR - TYPE 303 STAINLESS STEEL  
 SPRING - TYPE 316 STAINLESS STEEL, SPRING TEMPER  
 RETAINER - TYPE 302 STAINLESS STEEL
- RETAINER PART NUMBER RACEX-RR-5-SS ARE SOLD SEPERATELY.

**UNCONTROLLED**

MATERIAL:	SEE NOTE 1
HEAT TREAT:	NONE
FINISH:	NONE
<small>THE FASTENER PARTS SHOWN IN THIS PRINT ARE PROPRIETARY ARTICLES TO WHICH DFCI SOLUTIONS INC., RETAINS THE EXCLUSIVE RIGHTS OF MANUFACTURE, USE AND SALE. THE PRINT OR DRAWING IS SUBMITTED IN CONFIDENCE AND DOES NOT CONVEY A LICENSE OR PERMISSION TO MANUFACTURE THE FASTENER OR FASTENER PARTS.</small>	
<small>(C) COPYRIGHT 2009, DFCI SOLUTIONS INC. ALL RIGHTS RESERVED.</small>	

TOLERANCES ON DIMENSIONS UNLESS OTHERWISE SPECIFIED			
X* = ±2°	.XX = ±.015	MACHINE FINISH = .125	
X/X = ±1/32	.XXX = ±.010		
PART NO.	SEE TABLE	DRN	DATE
		Frank Basile	01/13/15
		CHK.	DATE
		Frank Basile	01/13/15
		ENG.	DATE
		Bob Altkorn	01/13/15
		MFG.	DATE
		Rashm Lubman	01/13/15
		G.C.	DATE
		Bob Altkorn	01/13/15
NEXT ASSY	USED ON	SALES.	DATE

		<b>DFCI SOLUTIONS INC.</b> 425 UNION BOULEVARD. WEST ISLIP, NEW YORK 11795	
TITLE			
RACEX STUD ASSEMBLY RACEX-E5xx-x-SS			
SIZE	FSCM NO	DWG. NO.	REV.
A	72794	CRACEX-E5	/
SCALE: NTS		WEIGHT:	SHEET 1 OF 1