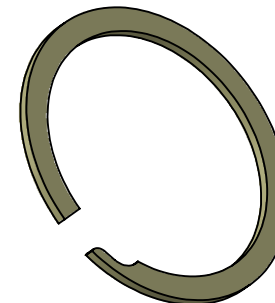
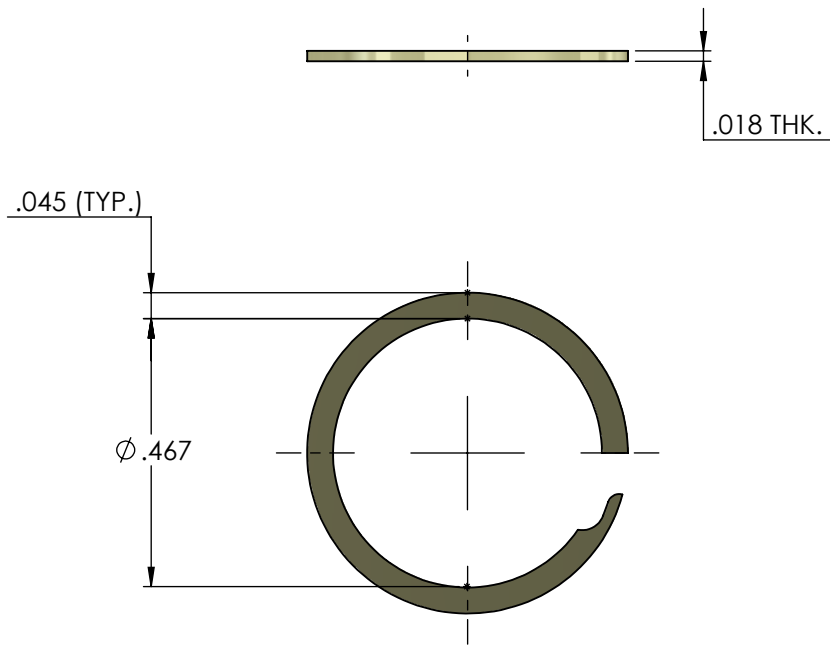



REVISIONS			
SYS	DESCRIPTION	DATE	APPROV
/	INITIAL RELEASE	01/13/15	



**UNCONTROLLED**

MATERIAL: <b>TYPE 302 STAINLESS STEEL</b>		TOLERANCES ON DIMENSIONS UNLESS OTHERWISE SPECIFIED X° = ±2° .XX = ±.015 X/X = ±1/32 .XXX = ±.010 MACHINE FINISH = .125				 <b>DFCI SOLUTIONS INC.</b> 425 UNION BOULEVARD. WEST ISLIP, NEW YORK 11795	
HEAT TREAT: <b>NONE</b>		PART NO. <b>RACEX-RR-5-SS</b>	DRN <i>Frank Basile</i>	DATE <b>01/13/15</b>	<b>RACEX RETAINER CLIP</b> <b>RACEX-RR-5-SS</b>		
FINISH: <b>NATURAL</b>			CHK. <i>Frank Basile</i>	DATE <b>01/13/15</b>			TITLE <b>RACEX RETAINER CLIP</b> <b>RACEX-RR-5-SS</b>
THE FASTENER PARTS SHOWN IN THIS PRINT ARE PROPRIETARY ARTICLES TO WHICH DFCI SOLUTIONS INC., RETAINS THE EXCLUSIVE RIGHTS OF MANUFACTURE, USE AND SALE. THE PRINT OR DRAWING IS SUBMITTED IN CONFIDENCE AND DOES NOT CONVEY A LICENSE OR PERMISSION TO MANUFACTURE THE FASTENER OR FASTENER PARTS. (C) COPYRIGHT 2009, DFCI SOLUTIONS INC. ALL RIGHTS RESERVED.			ENG. <i>Robert Altabrand</i>	DATE <b>01/13/15</b>	SIZE <b>A</b> FSCM NO. <b>72794</b> DWG. NO. <b>CRACEX-RR-5</b> REV. <b>/</b>		
			MFG. <i>Rashm Lubman</i>	DATE <b>01/13/15</b>			SCALE: NTS WEIGHT: SHEET 1 OF 1
	Q.C. <i>Robert Altabrand</i>	DATE <b>01/13/15</b>					
	SALES.	DATE					
	APPLICATION BLOCK						